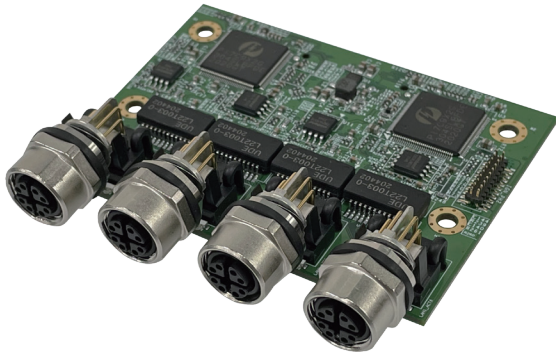
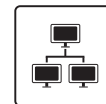
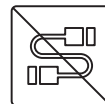


# CMI-XM12LAN01

CMI Module with 4x Intel GbE LAN, M12 X-Coded Connector



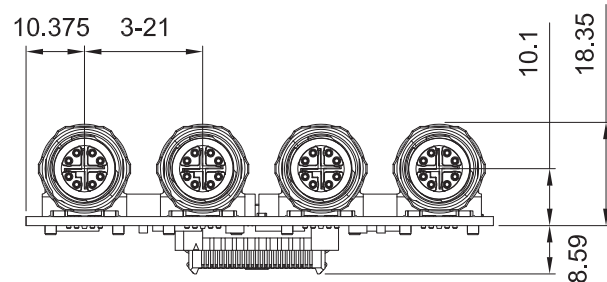
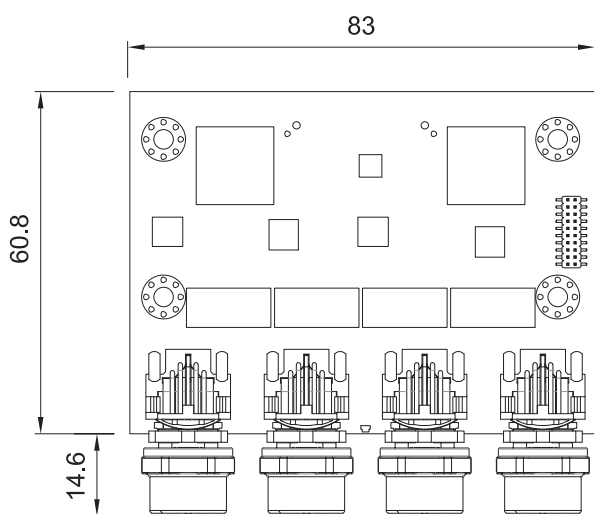
- CMI (Combined Multiple I/O) Technology
- Intel® I210 Gigabit Ethernet controller
- M12 X-Coded Connector
- Support PoE Function Through Optional CFM Module



## Specifications

Interface	CMI (Combine Multiple I/O) Interface
Ethernet Port	4x Intel® I210 Ethernet Ports, Support Wake on LAN, Teaming, 9.5KB Jumbo Frame
Connector Type	M12 X-Coded Connectors
Transmission Rate	10 / 100 / 1000 Mbps
Expansion	1x CFM Interface for PoE Function
Dimension ( W x D x H )	83 x 60.8 x 18.35 mm

## Dimensions



Unit: mm

## Ordering Information

### Available Models

<b>CMI-XM12LAN01-R10</b>	CMI Module with 4x Intel GbE LAN, M12 X-Coded Connector
--------------------------	---

### Optional Accessories

<b>CFM-PoE01</b>	CFM Module with PoE Control Function, Individual Port 25.5W (for DX & GM & GP Series)
------------------	---

<b>CFM-PoE03</b>	CFM Module with PoE Control Function, Individual Port 25.5W (for DS Series)
------------------	---

<b>CFM-PoE06-R10</b>	CFM Module with PoE Control Function, Individual Port 25.5W (for DI-1100)
----------------------	---

<b>CFM-PoE07-R10</b>	CFM Module with PoE Function, Individual Port 25.5W (for GP-3000)
----------------------	---

## Compatible List

Model No.	CMI-XM12LAN01
DS-1300 / DS-1301 / DS-1302	V
DS-1200 / DS-1201 / DS-1202	V
DS-1100 / DS-1101 / DS-1102	V
DI-1100	V
DX-1100 / DX-1000	V
GM-1000	V
GP-3000	V