

FAN-EX103

External Fan with 4pin Terminal Block Plug and Mounting Bracket, Support Smart Fan



- External Fan Kit
- Easy Maintenance Design
- High Fan Speed For Greater Air Flow
- Support Smart Fan Function



Easy Maintenance



Modular Design

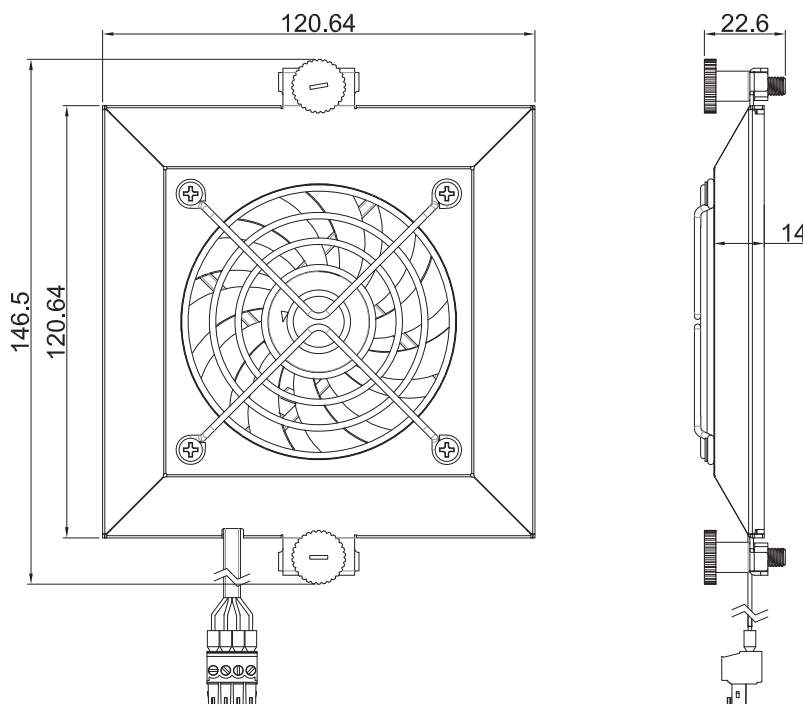


Rugged Design

Specifications

Speed Reference	4000 RPM
Power Consumption	4.68 WATTS
Noise	35.7 dBA
Rated Voltage	12 VDC
Rated Current	0.35 AMP
Cable Length	12 cm
Interface	1x 4Pin Terminal Block
Dimension (W x D x H)	120.64 x 22.6 x 146.5 mm

Dimensions



Unit: mm

Ordering Information

Available Models

FAN-EX103	External Fan with 4pin Terminal Block Plug and Mounting Bracket, Support Smart Fan
------------------	--

Package Check List

- External Fan Kit x1

Compatible List

Model No.	FAN-EX103
DI-1100	V