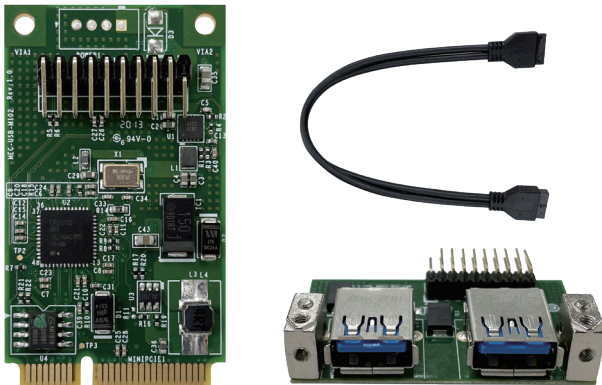
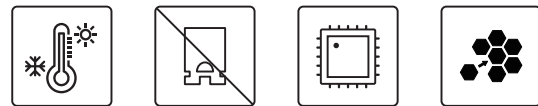


MEC-USB-M102

Mini-PCIe Module with 2x USB3.2 Gen1 Ports



- MEC (Mini PCIe Expansion Card) Technology
- 2x Super-speed USB Ports Expansion
- Support Hot-Swapping function

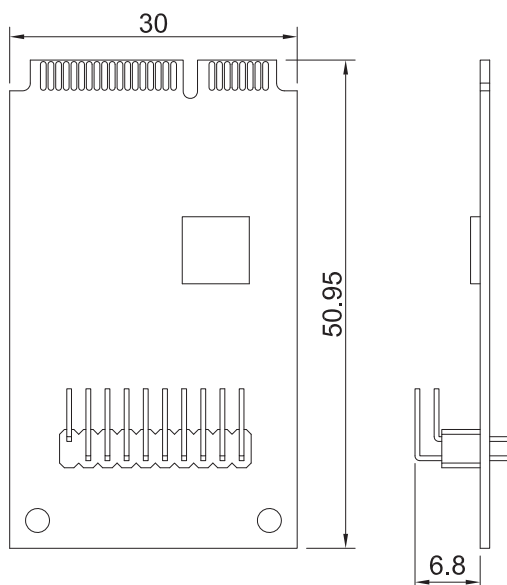


Specifications

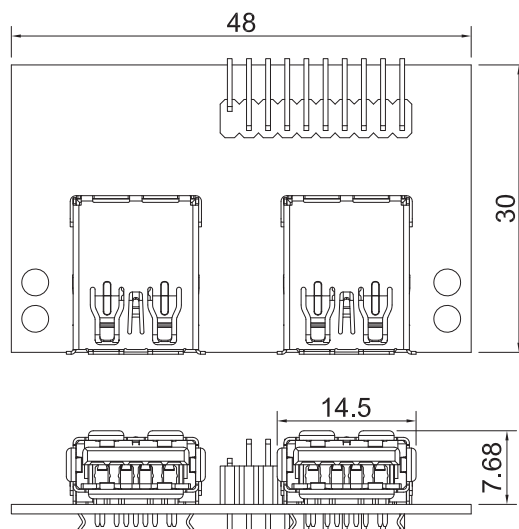
USB Port	2x USB3.2 Gen1 Ports
Connector Type	Standard A Type
Data Transfer Rate	1.5 / 12 / 480 / 5000Mbps
Power Consumption	Maximum 5V @ 900 mA Per Port
Dimension (W x D x H)	30.00 x 50.95 mm
Operating System	Windows® 10, Windows® 8, Windows® 7
Certification	CE, FCC Class A

Dimensions

Mini PCIe Card



USB I/O Card



Unit: mm

Ordering Information

Available Models

Model No.	Description
MEC-USB-M102 -15	Mini-PCIe Module with 2x USB 3.0 Ports, 2x 15cm cable
MEC-USB-M102 -30	Mini-PCIe Module with 2x USB 3.0 Ports, 2x 30cm cable

Package Checklist

• Mini PCIe Card x1	• USB Signal Cable x1
• USB I/O Card x1	• Quick Installation Guide x1
• Standard Full Height Bracket with 2x USB Cutout x1	• Utility DVD Driver x1
• Screw Pack x1	

Compatible List

Model No.	MEC-USB-M102-15	MEC-USB-M102-30
DA-1000	V	--
DE-1000	--	V
DS-1300/1301/1302	V	--
DS-1200/1201/1202	V	--
DS-1100/1101/1102	--	V
DI-1000	V	--
DI-1100	V	--
DX-1000	V	--
GM-1000	V	--
GP-3000	V	--
P1000	--	V
P2000	--	V
P2100	--	V