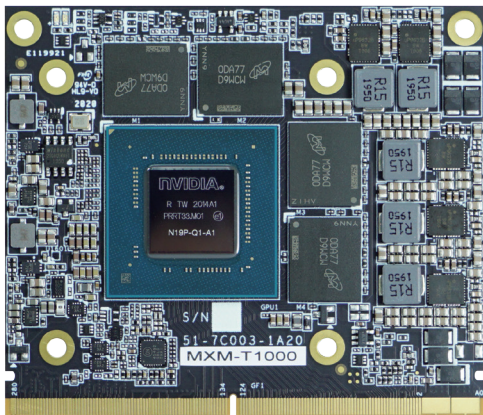


MXM-T1000

Nvidia Quadro Embedded T1000 MXM Kit with Heatsink and Thermal Pad

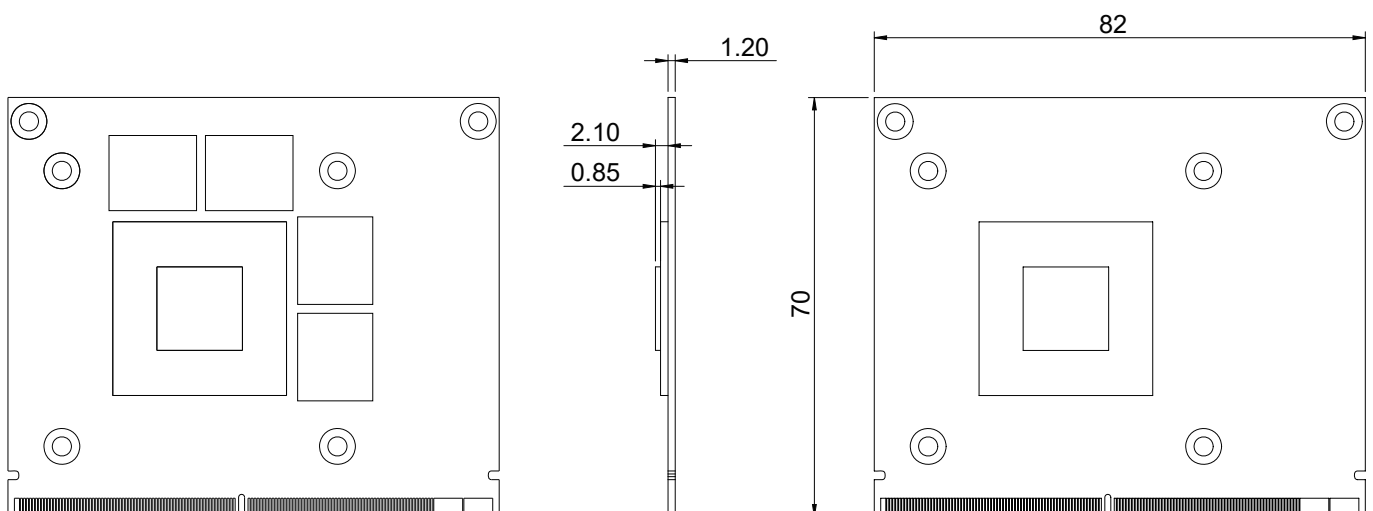


- NVIDIA® Quadro® T1000 Embedded Graphics
- Standard MXM 3.1 Type A Form Factor (82 x 70 mm)
- 896 NVIDIA® CUDA® Cores
- 2.6 TFLOPS Peak FP32 Performance
- 4GB GDDR6 Memory, 128-bit
- 5-year Availability

Specifications

GPU	NVIDIA® Quadro® T1000
Memory	4GB GDDR6 memory, 128-bit (Bandwidth: 192 GB/s)
CUDA Cores	896 CUDA® cores, 2.6TFLOPS peak FP32 performance
Compute API	CUDA Toolkit 8.0 and above, CUDA Compute version 6.1 and above, OpenCL™ 1.2
Graphics API	DirectX® 12, OpenGL 4.6, Vulkan 1.0 API
Display Outputs	4x DisplayPort 1.4 digital video outputs, 4K at 120Hz or 8K at 60Hz
Interface	MXM 3.1, PCI Express Gen3 x16 support
Dimensions	82 (W) x 70 (D) x 4.8 (H) mm
Form Factor	Standard MXM 3.1 Type A
Power Consumption	50W
OS Support	Windows 10, Linux support by project

Dimensions



Unit: mm

Ordering Information

Available Models

Model No.	Description
MXM-T1000-R10	Nvidia Quadro Embedded T1000 MXM Kit with Heatsink and Thermal Pad

Package Checklist

- NVIDIA® Quadro® Embedded T1000 GPU card x 1
- GPU Heatsink x1
- GPU Thermal Pad Kit x1
- Screw Pack x1
- Utility DVD Driver x1