

Owner's Manual Havis Docking Station For Getac UX10 Fully Rugged Tablet

DS-GTC-1100 Series

DS-GTC-1101

DS-GTC-1101-3

DS-GTC-1102

DS-GTC-1102-3

DS-GTC-1103

DS-GTC-1103-3

DS-GTC-1106

DS-GTC-1106-3



DS-GTC-1100-SERIES_OMN_6-19

www.havis.com

HAVIS

Havis, Inc.
75 Jacksonville Road
Warminster, PA 18974

1-800-524-9900

Before Beginning

Havis is pleased to provide this Owner's Manual to aid in the proper installation and use of the DS-GTC-1100 Series Docking Station for the Getac UX10 Fully Rugged Tablet. For questions regarding the set-up of your DS-GTC-1100 Series Docking Station, please contact Havis at 1-800-524-9900 or visit www.havis.com for additional product support and information.

This Owner's Manual applies to the following Part Numbers:

DS-GTC-1101
DS-GTC-1101-3

DS-GTC-1102
DS-GTC-1102-3

DS-GTC-1103
DS-GTC-1103-3

DS-GTC-1106
DS-GTC-1106-3

WARNING

- NEVER STOW OR MOUNT THE DOCKING STATION DIRECTLY IN A VEHICLE AIRBAG DEPLOYMENT ZONE.
- DO NOT USE COMPUTER WHILE DRIVING.

CAUTION

- READ ALL INSTRUCTIONS THOROUGHLY BEFORE BEGINNING INSTALLATION.
- DO NOT STORE, INSTALL, OR OPERATE THE DOCKING STATION WHERE WATER, MOISTURE, STEAM, DUST, ETC. ARE PRESENT
- DO NOT DOCK OR UNDOCK YOUR COMPUTER UNLESS IT IS POWERED OFF. DOCKING OR UNDOCKING WITH YOUR COMPUTER IN ON, STANDBY, HIBERNATION, OR SLEEP MODES CAN CAUSE PERMANENT DAMAGE.
- FOR THE DS-GTC-1101, DS-GTC-1101-3, DS-GTC-1102, DS-GTC-1102-3, DS-GTC-110X, & DS-GTC-110X-X DOCKING STATIONS: DO NOT CONNECT DIRECTLY TO VEHICLE VOLTAGE SOURCE: This product requires a certified, automotive grade, Getac approved 120W power source rated for a continuous, regulated 19VDC output (*Havis Part Number LPS-140 or equivalent*). Failure to comply with this requirement will cause product damage that is NOT repairable and is NOT covered under warranty.
- FOR THE DS-GTC-1103 & DS-GTC-1103-3 DOCKING STATIONS: DO NOT CONNECT DIRECTLY TO VEHICLE VOLTAGE SOURCE: The Getac UX10 Fully Rugged Tablet requires a certified, Getac approved power source rated for a continuous, regulated 19VDC output. Failure to comply with this requirement will cause product damage that is NOT repairable and is NOT covered under warranty.

NOTICE

- WHEN TABLET IS DOCKED, THE BATTERY WILL ONLY CHARGE BETWEEN 0°C to 50°C (32°F to 122°F). PLEASE REFER TO GETAC UX10 OWNER'S MANUAL FOR MORE INFORMATION.

Precautions

- Do not place metal objects or containers of liquid on top of the Docking Station
- If a malfunction occurs, immediately unplug the Power Supply and remove the laptop
- Use only the specified Power Supply (Part # LPS-140) with this Docking Station
- Do not connect cables into ports other than what they are specified for
- Do not leave the Docking Station in a high temperature environment (greater than 71°C, 160°F) for a long period of time

Specifications

Power Supply Input	19V DC-In
Dimensions	9.7" (24.5 cm) H x 11.1" (28.3 cm) W x 3.0" (7.6 cm) D
Weight	2.76 lbs. (1.25 kg)
Operating Environment	-21° C to 60° C (-6° F to 140° F)
Storage Environment	-51° C to 71° C (-60° F to 160° F)

EC DECLARATION OF CONFORMITY in accordance with EN 50498

Manufacturers Name: Havis, Inc.

Manufacturers Address: 75 Jacksonville Road, Warminster, PA 18974 USA

Declares under our sole responsibility that the product:

Product name: Havis Docking Station For Getac UX10 Tablet Only

Model: DS-GTC-110X, where 'X' may be any alphanumeric character and which describes product options.
May be followed by any alphanumeric characters which describe product options.

Product Options: This declaration covers all options of the above product which bear the CE Marking.

Is in conformity with the following standards or other normative documents:

Automotive EMC Directive EN 50498:2010, Electromagnetic compatibility (EMC) -
2004/108/EC: Product family standard for aftermarket electronic equipment in vehicles
Directive 2011/65/EU Restriction of the use of certain hazardous substances (RoHS)

Supplementary Information:

The product herewith complies with the requirements of the Automotive EMC Directive 2004/108/EC, Annex I, 6.5, 6.6, 6.8, and 6.9. This product requires the use of a recommended e-Marked automotive power supply when used within vehicles.

Warminster, PA, USA

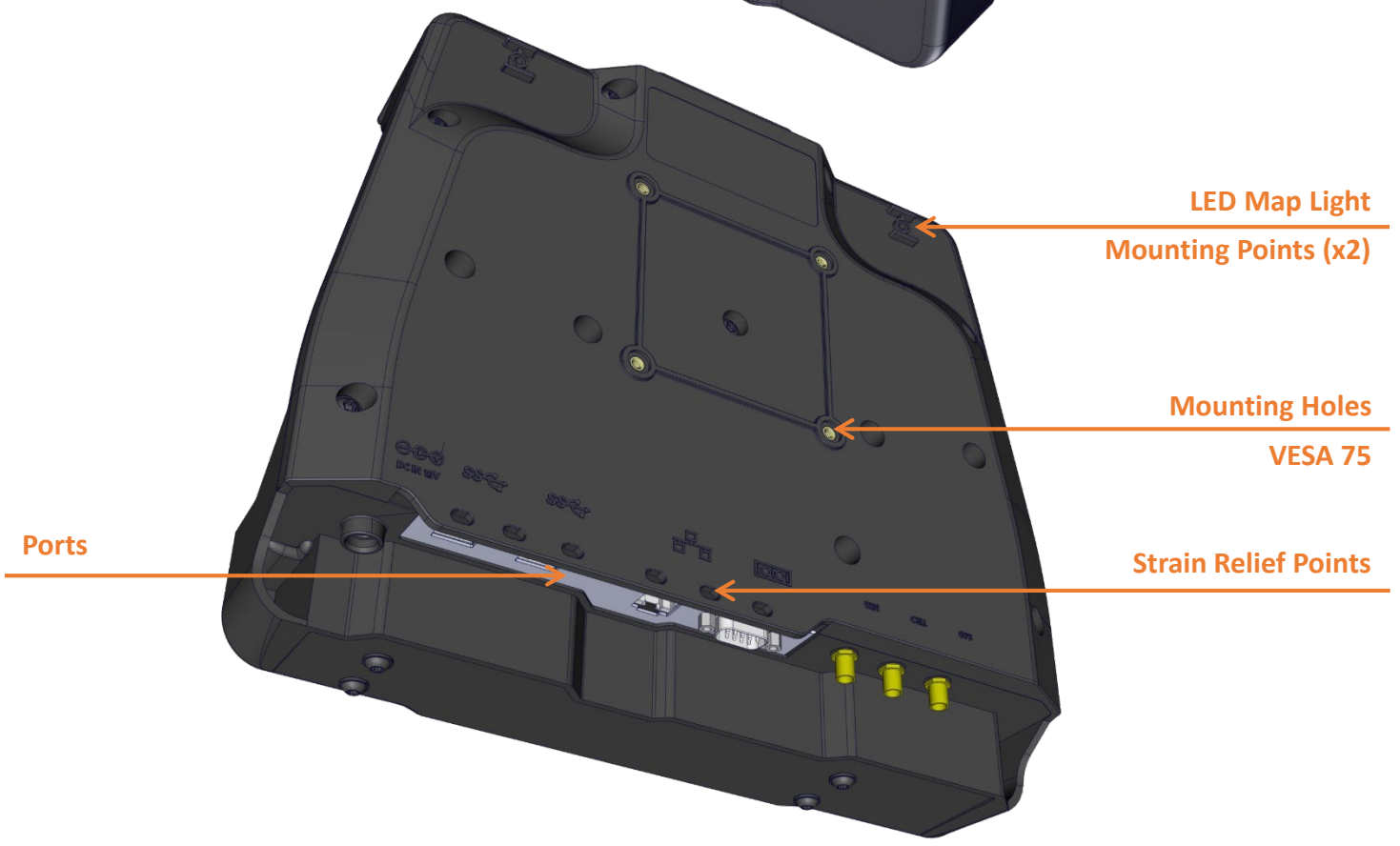
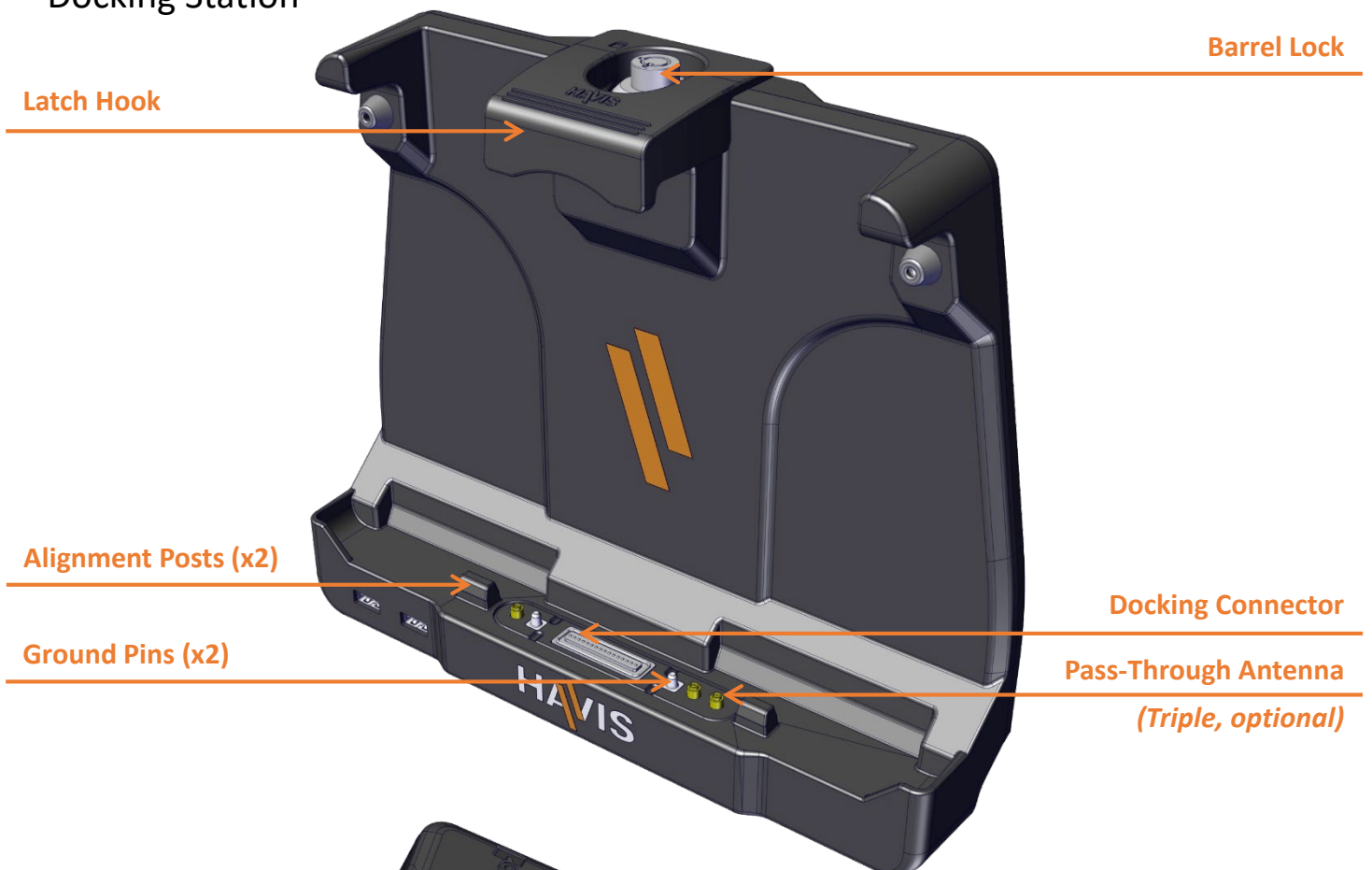
June 2, 2019

Bruce Jonik, Director of Engineering , Havis, Inc.

FCC 47CFR, Part 15 compliance: This is an FCC Class B device. Any changes or modifications to the model DS-GTC-110X not expressly approved by Havis, Inc. could void the user's authority to operate this equipment.

Parts Included

Docking Station



Parts Included (continued)

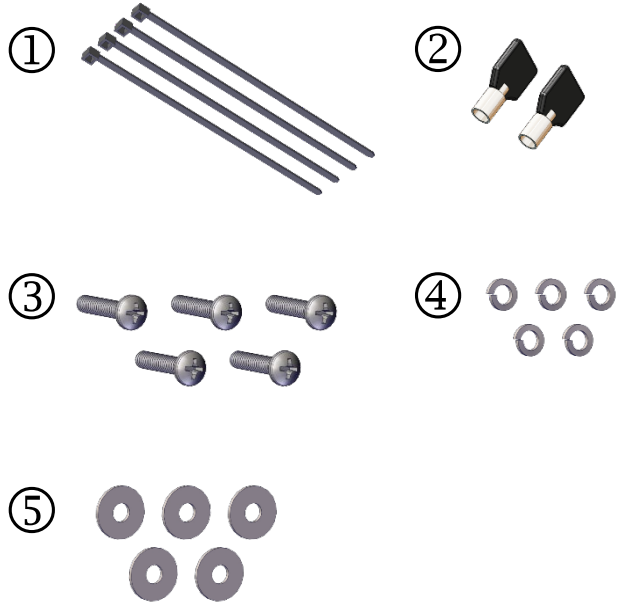
Hardware Kit (HWK-0031)

This Hardware Kit includes:

1. Zip Ties (4)
2. Keys (2)
3. M4 x 0.7 x 20mm long Pan Head Screws (5)
4. Split Lock Washers (5)
5. Washers, M4 (5)

Tools required for installation:

- #2 Phillips (For M4 Pan Head Screws)



Antenna Identification

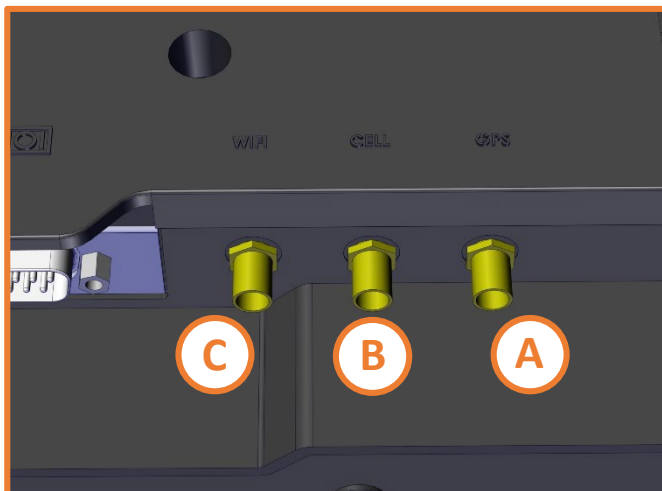
DS-GTC-1101-3, DS-GTC-1102-3, DS-GTC-1103-3, & DS-GTC-1106-3

A – GPS

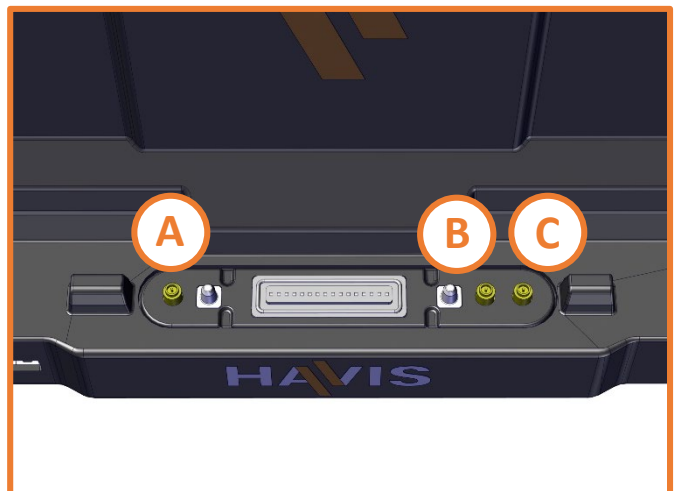
B – CELLULAR

C – WIFI

Antenna Connectors (SMA)



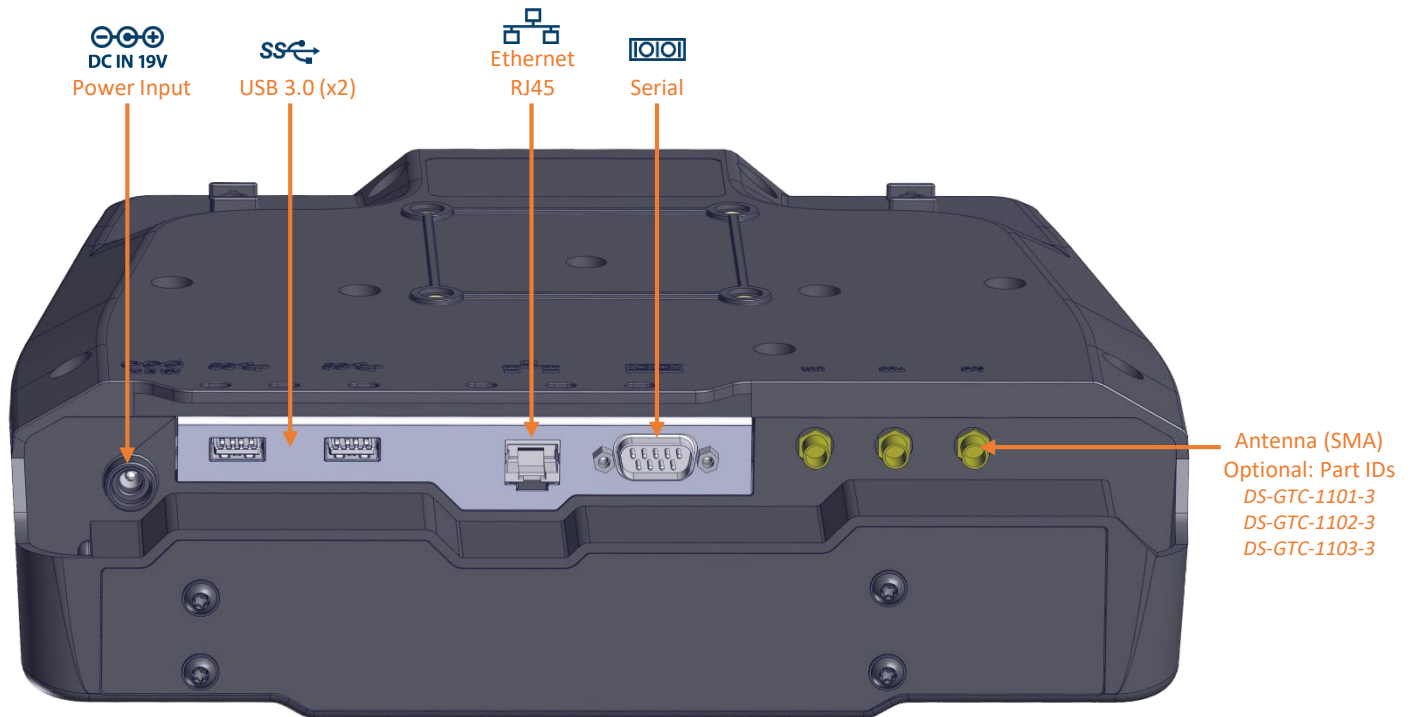
Tablet Interface



Port Replication Capability

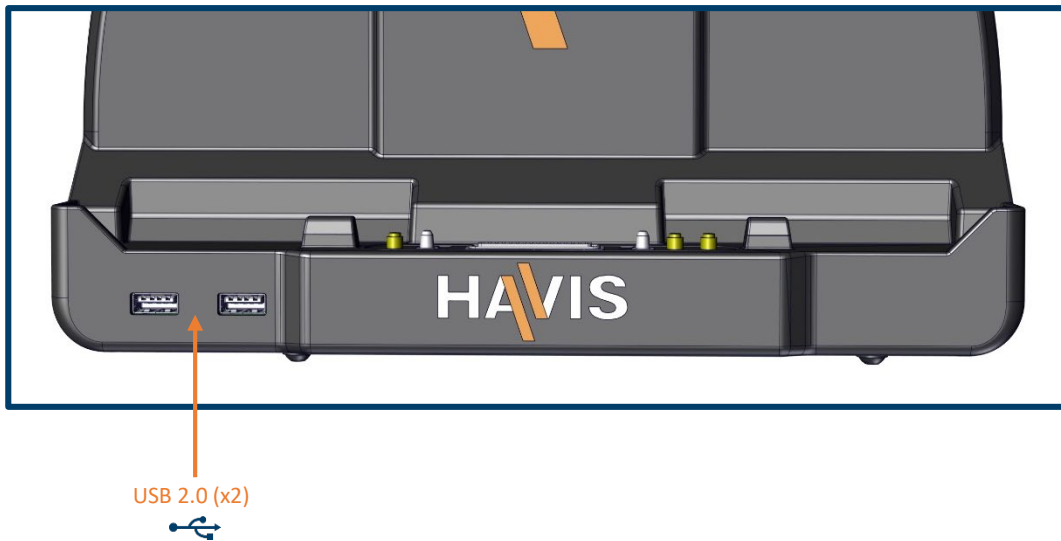
Downward Facing Ports

DS-GTC-1101, DS-GTC-1101-3, DS-GTC-1102, DS-GTC-1102-3



Forward Facing Ports

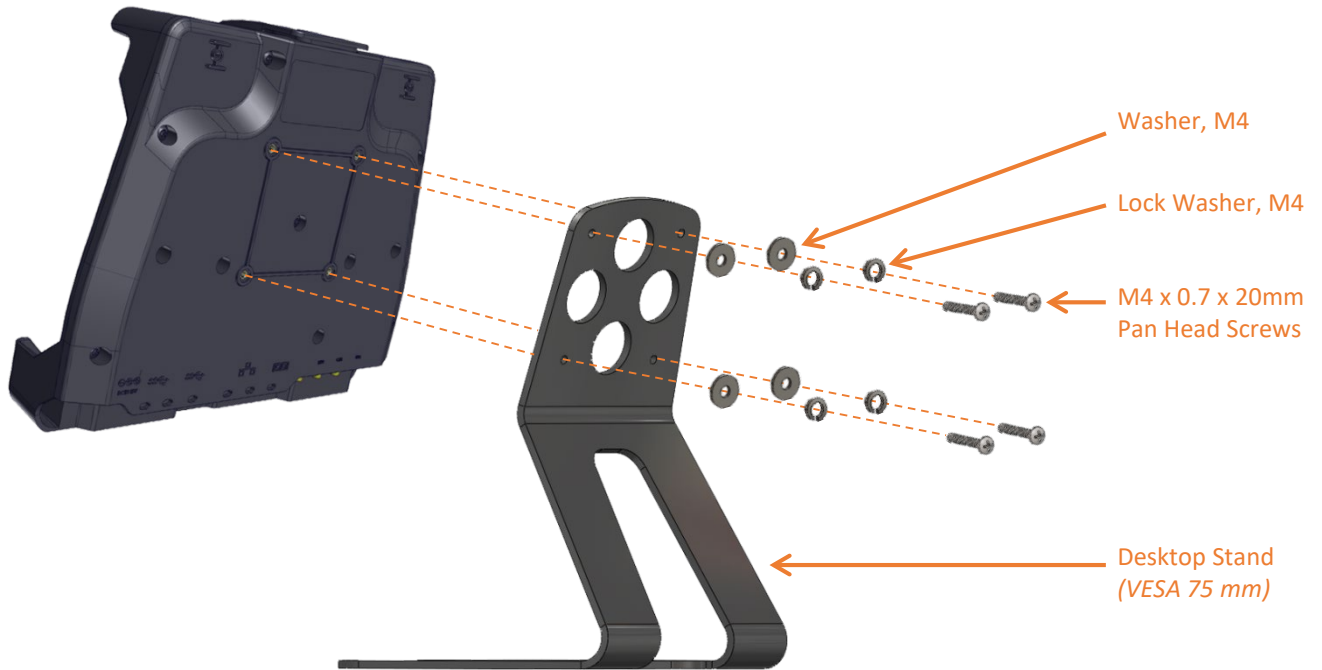
DS-GTC-1101, DS-GTC-1101-3, DS-GTC-1102, DS-GTC-1102-3



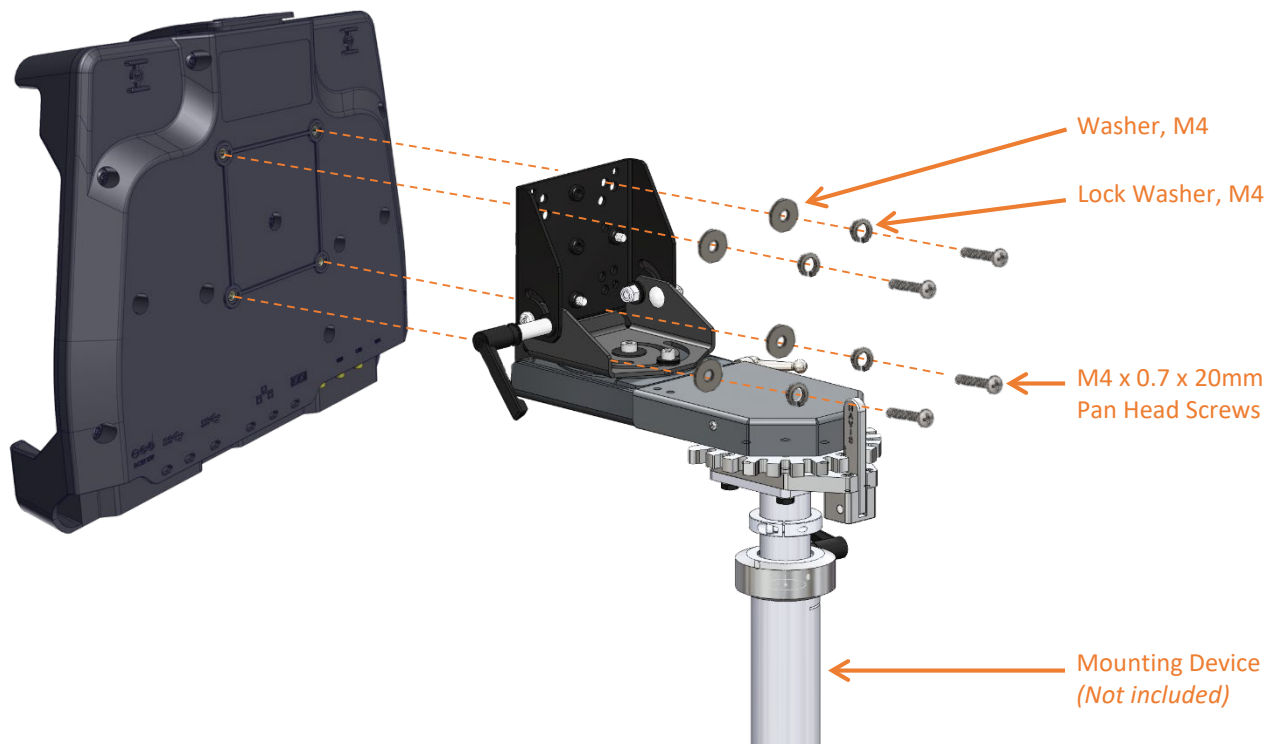
Installation

- 1) Align Docking Station mounting holes with the hole pattern on mounting device. Using the four (4) M4 0.7 x 20mm Pan Head Screws (Hardware Kit Item 3), four (4) Washers, M4 (Hardware Kit Item 4), and four (4) Lock Washers, M4 (Hardware Kit Item 5), secure the Docking Station to device. Torque screws to 20 in-lbs (2.3Nm) \pm 10%

A) Havis Desktop Stand installation (sold separately, Part # DS-DA-218).

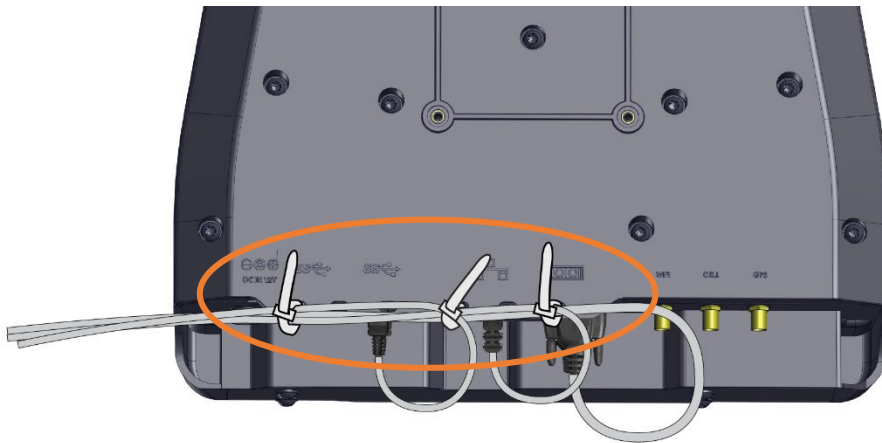


B) In-Vehicle mounting system installation (not included).

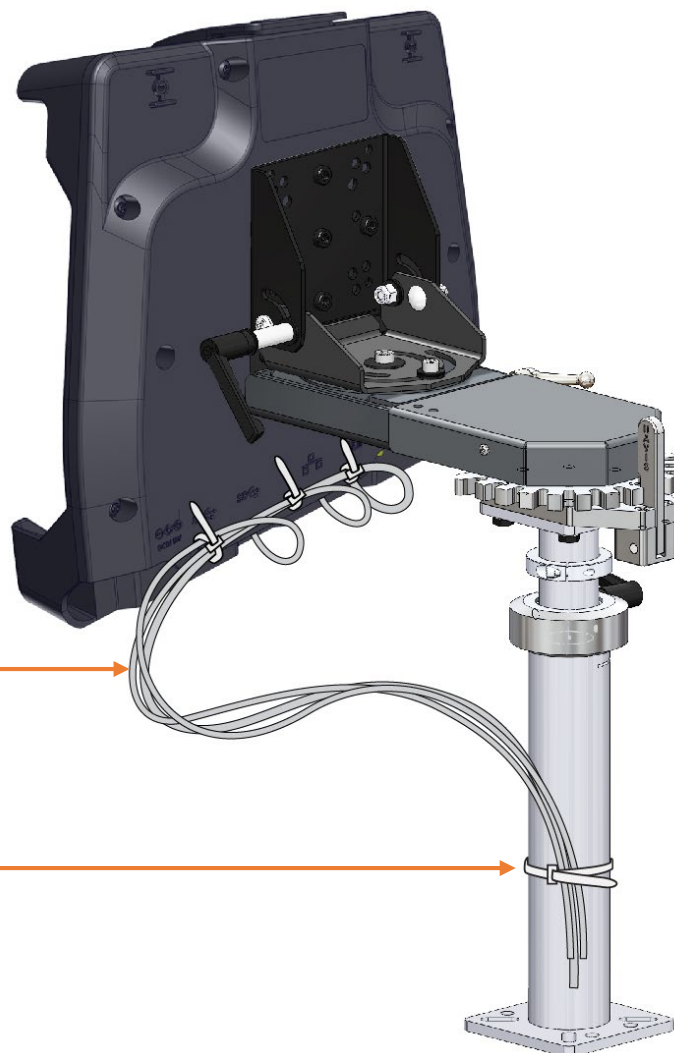


Cable Management

- 1) Tip the Docking Station to a position that is comfortable to work with.
- 2) Install all cables that are necessary for computing needs.
- 3) Use Zip Ties (Hardware Kit Item 1) and the Strain Relief Points to secure cables and reduce risk of accidental disconnects.



- 4) Create a service loop with cables to ensure that no tension is on the connectors and to enable intended motion.
- 5) Tie off cables onto a stationary part of the mounting system.



4

This loop must be large enough to allow full range of expected rotation and extension without stressing connections.

5

Collect cables to secure to the mounting system.

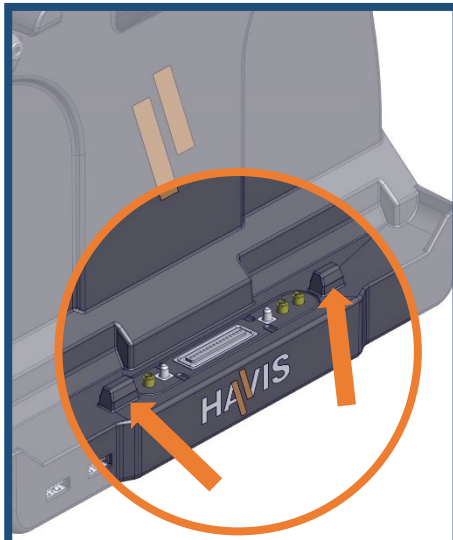
(Note: mounting system not included)

Operation - Docking

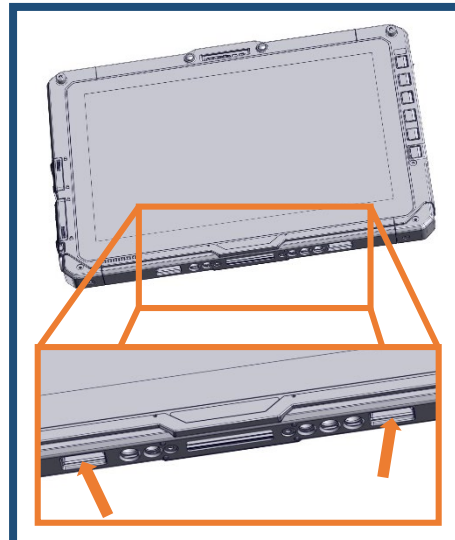
CAUTION

DO NOT FORCE TABLET ONTO DOCKING STATION. IF THERE IS RESISTANCE, CHECK ALIGNMENT OF TABLET ON DOCKING STATION.

NOTE: Ensure a proper connection by aligning the tablet's Alignment Sockets with the Docking Station's Alignment Posts

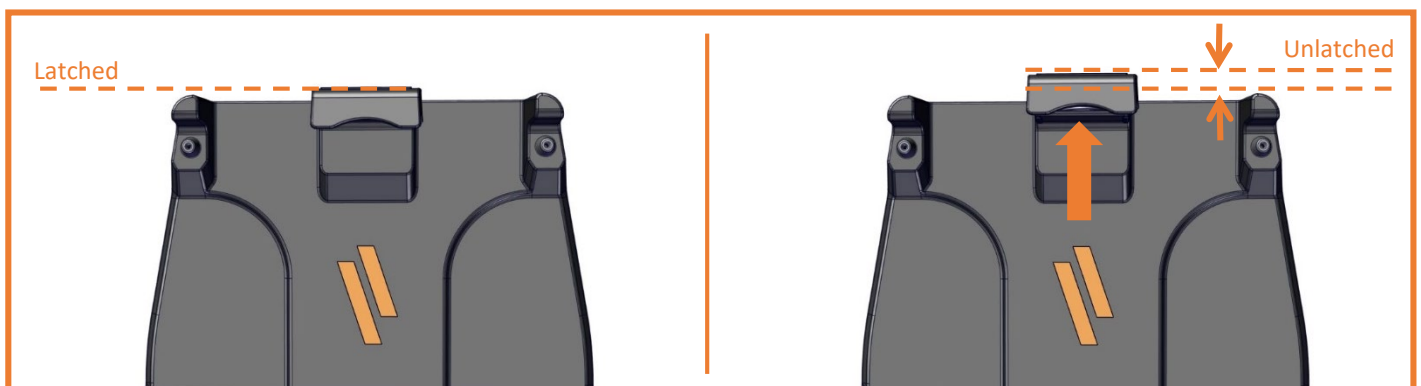
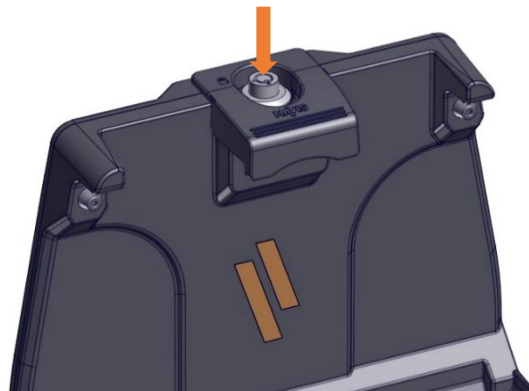


Alignment Posts on the DS-GTC-1100 Series Docking Station



Alignment Sockets on the bottom of Getac UX10 Tablet

- 1) Docking Station must be unlatched before docking your tablet. Push down on the Barrel Lock button and release slowly.

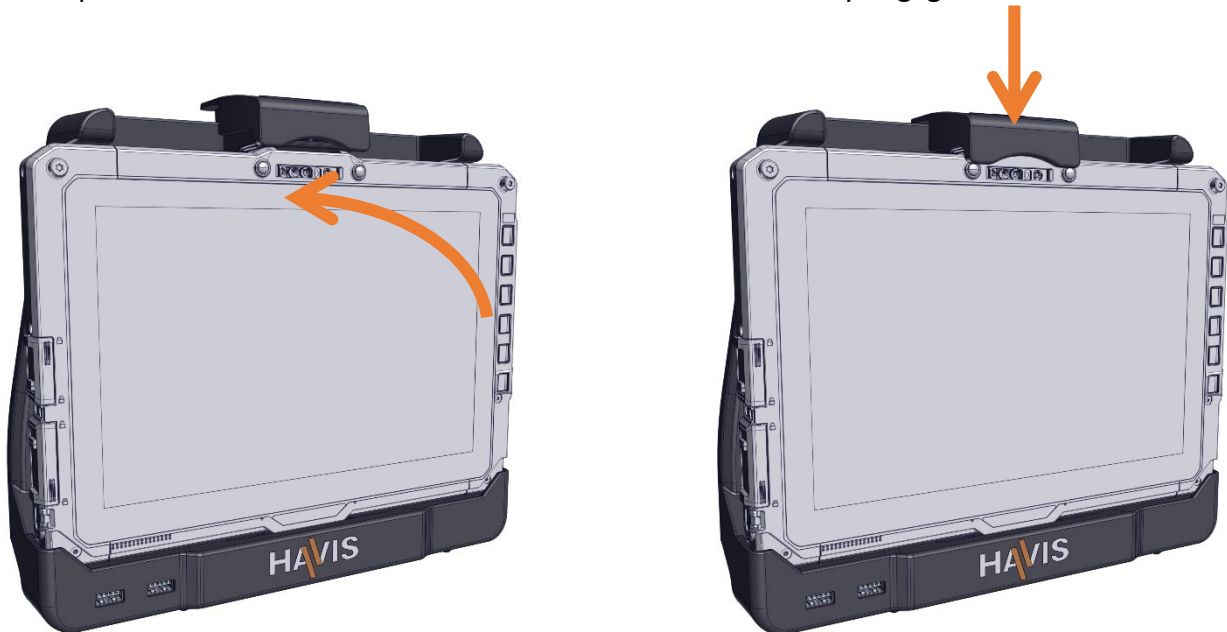


Operation - Docking (continued)

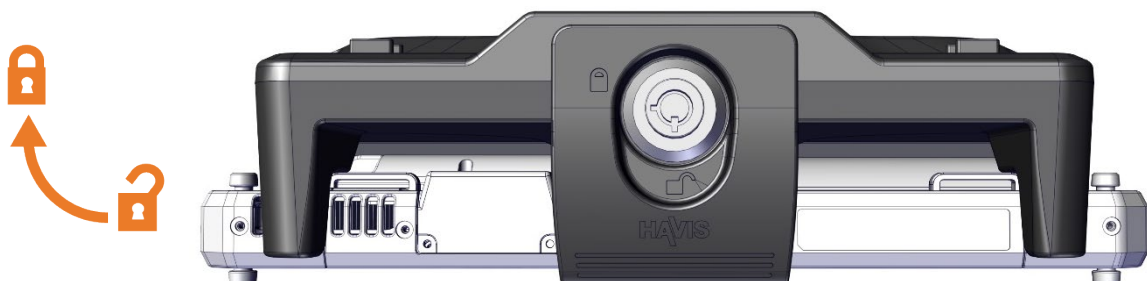
- 2) Hold tablet in landscape orientation, with bottom mounted docking connector angled toward Docking Station. Lower tablet into the bottom of the Docking Station.



- 3) Pivot tablet so it sits flush in the Docking Station and hold while depressing the Latch Handle to secure tablet in place. You will hear an audible click when Latch Hook is fully engaged.



- 4) For theft deterrence, secure tablet by locking Docking Station with supplied key (Hardware Kit Item 2).

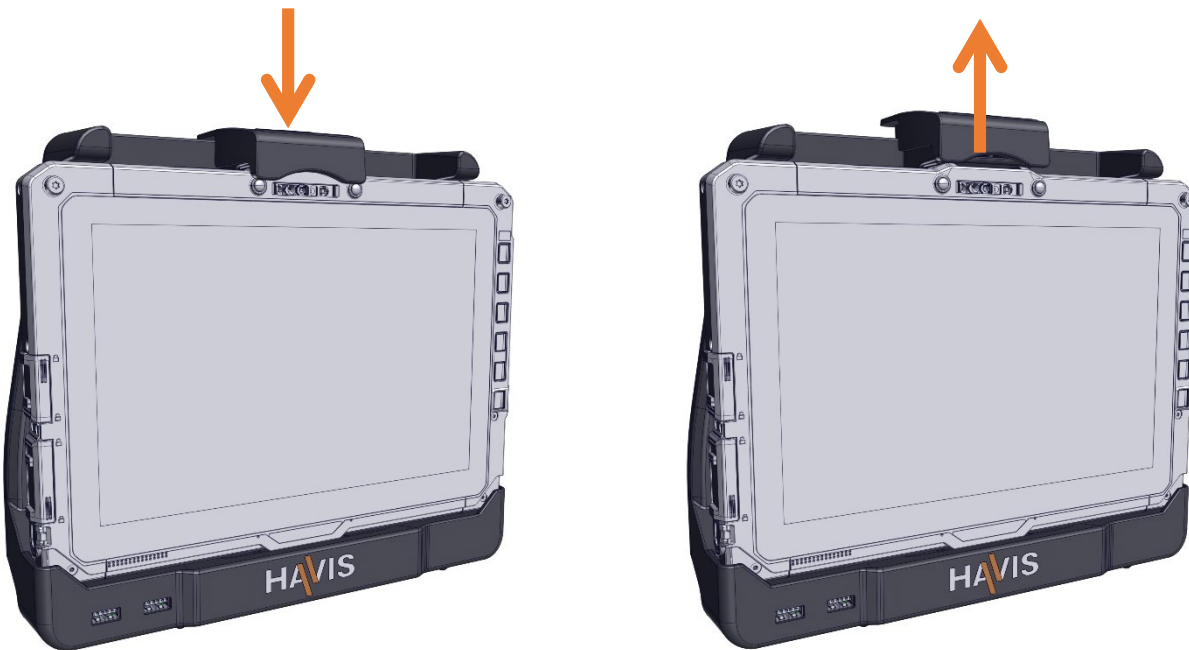


Operation - Undocking

- 1) If previously locked, unlock Docking Station using supplied key.



- 2) Secure tablet to avoid inadvertent ejection from Docking Station. Push down on the Barrel Lock button and release quickly taking care not to obstruct the travel of the Latch Hook. If the Latch Hook does not extend fully to its unlatched position, lift up lightly on the front of the Latch Hook to fully release.



- 3) Once unlatched grab both sides of tablet, rock the top forward and carefully lift out of Docking Station, top end first.



Related Products

Havis offers a wide variety of accessory products specifically for use with your Docking Station. For more information or to order, please visit www.havis.com.



LPS-140

120W Power Supply

External in-vehicle power supply and cable for Getac UX10 Tablet with cigarette lighter adaptor.



LPS-211

Power Supply Mounting Bracket

Mount a power supply directly to your Docking Station with this versatile bracket.



DS-DA-218

Desktop Stand for Tablet Docking Stations

Durable stand for mounting tablet Docking Stations for use in the home or office.



DS-DA-102

USB Powered Keyboard Light

Soft red LED light illuminates the laptop keyboard for night viewing.



DS-DA-502

Replacement Keys

Set of two (2) replacement keys for DS-GTC-1100 Series Docking Stations.

