

# MES 1910EPC

9.7" Panel PC with Intel Celeron Processor



## Features

- Bezel-less with true flat P-CAP touchscreen
- Full system IP54
- NANO coating for easy cleaning and maintenance
- Compact and stylish space saving design
- Aluminum casing with ventless and fanless design
- Chemical treated and strengthen glass touch panel, PCT-7H
- Shock tested using Procedure 1G
- Optional - Extra USB & COM ports
- Optional - 2<sup>nd</sup> display with VGA output
- Optional - 2<sup>nd</sup> LAN and wireless LAN enable

RoHS Windows Embedded

## Introduction

The SENOR MES 1910EPC is a robust and integrated Manufacturing Execution System with fanless and ventless design specifically developed to be utilized in harsh environments. Featuring operational effective interface, it aims at enhancing work efficiency and offers safe working environments at the forefront. Its bezel-less design without button mechanism aids to increase reliability of the unit without compromising on the functionality. The 7H panel surface has been treated for superior durability making it reliable for different applications. Its compact design is compatible with various mounting solutions and is suitable for various industrial applications such as access control and factory automation.

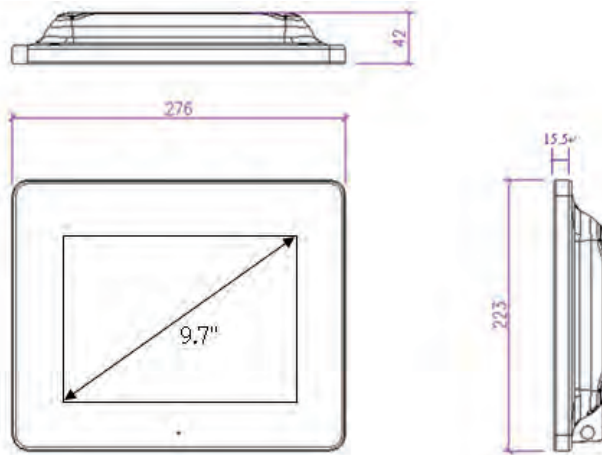
## Specifications

| Model No.                              | MES 1910EPC                                     |
|--|---|
| CPU                                    | Intel J1900 Quad Core 2.0GHz up to 2.42GHz      |
| System Memory                          | 1 * slot DDR3L SO-DIMM Max. 4GB                 |
| <b>LCD Touch Panel</b>                 |   |
| LCD Size, Resolution                   | 9.7" TFT, 1024*768                              |
| Brightness, View angle                 | 350 cd/m <sup>2</sup> , 600°(H)/70°(V)          |
| Touch Type                             | PCT (Projected Capacitive Touch)                |
| <b>Connectivity</b>                    |   |
| SSD                                    | 2* slots M.2 2242 SSD                           |
| Mini PCI-e                             | 1   |
| Giga LAN (10/100/1000 Mbps)            | 1   |
| USB                                    | 4 * USB2.0                                      |
| COM                                    | 3 * RS232 (RJ48) +1 * RS232/422/485(RJ48)       |
| <b>Mechanical &amp; Environment</b>    |   |
| Dimensions (W * D * H)                 | 276 * 42 * 223 mm(external adapter)             |
| Weight                                 | 2.5Kgs  |
| Splash Resistant, Safety Certification | IP 54 compliant, CE/FCC                         |
| Chassis                                | Aluminum Casing, Fanless & Ventless System      |
| Chassis color                          | Black or White                                  |
| Storage /Operating Temperature         | -20°C~60°C / 0°C~40°C or -10°C~50°C(customized) |
| Relative Humidity                      | 10%~90% (non-condensing)                        |
| Power Consumption                      | DC Out put:12V 3.3A / AC in put:100V-240V       |
| <b>Software</b>                        |   |
| Operation System support               | Win 10 IoT 2016 Entry, Win 10 Pro               |
| <b>Options</b>                         |   |
| Wireless LAN                           | 802.11 a/b/g/n/ac                               |
| 2nd LAN (10/100/1000Mbps)              | 1* Giga LAN                                     |
| External USB                           | 2~4 * USB 2.0 ports                             |
| External Serial                        | 1~4 COM ports                                   |
| External VGA                           | 1 * VGA port                                    |
| ID card reader                         | RFID/ i-Button                                  |
| Mounting kit                           | Wall Mount, Monitor ARM, Stand                  |

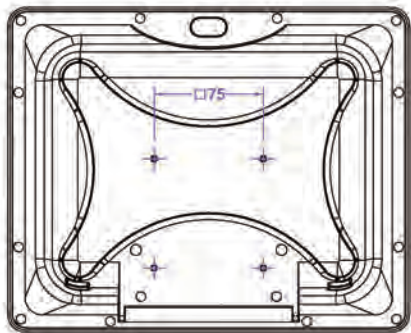
## Dimensions

Unit: mm

MES 1910EPC  
276 \* 42 \* 223(mm) - External adapter



**VESA** 75\*75mm



## I/O placement

