

MES 6417R

17" aluminum casing Manufacturing Execution System
Panel PC Intel Celeron processor



Features

- 5-wire resistive touchscreen
- Full system IP66 compliant
- NANO coating for easy cleaning and maintenance
- Aluminum casing with ventless and fanless design
- Removable SSD
- Chemical treated and strengthen glass touch panel
- Shock tested using Procedure 1G
- Supports VESA Mount
- Optional - 2nd LAN and wireless LAN

RoHS CE FC

Introduction

The SENOR MES 6417R is a robust and integrated Manufacturing Execution System with fanless and ventless design specifically developed for use in rigorous environments. With NANO coating and IP 66 certification for the dustproof and waterproof design of the unit, making it easy for cleaning and maintenance. Featuring operational effective interface, it aims at enhancing work efficiency and offers safe working environments at the forefront. It is suitable for the demanding requirements of various industrial applications such as factory automation and packing processing.

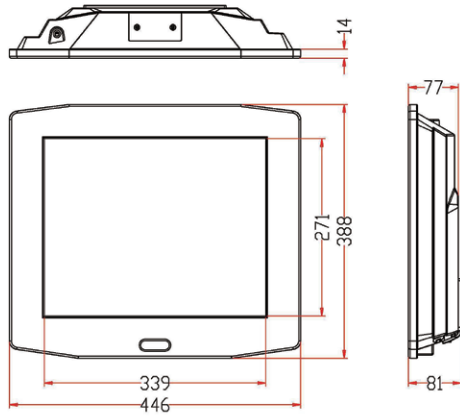
Specifications

Model No.	MES 6417R
CPU	Intel Celeron J6412 (1.5M Cache, 2.60 GHz)
System Memory	2* DDR4 SO-DIMM Max. 32GB
TPM	Intel PTT / TPM 2.0
LCD Touch Panel	
LCD Size, Resolution	17" TFT LCD, 1280*1024
Touch Type	Resistive Touch
Connectivity	
Storage devices	1* PCIe Gen3x4 NVMe M.2 2280 SSD, 1*SATAIII M.2 2280 expansion socket
Giga LAN	1*RJ-45 (10/100/1000 Mbps)
USB	2*USB2.0, 3*USB3.0
COM port	3*RJ48 (COM2/COM3/COM4)
External Display	1
Keyboard	1*PS/2
Audio	2*Built-in Speakers, 1*Mic/Line out
Mechanical & Environment	
Dimensions & Weight	446*118*388 mm (built-in AC adapter) / 446*81*388 mm (external AC adapter), 11 kgs
Safety Certifications & IP Rating	FCC/CE, IP 66 Compliance
Storage & Operating Temp.	-20°C ~ 60°C, 0°C ~ 40°C
Relative Humidity	10% ~ 90% (non-condensing)
Power Consumption	72 W maximum
Software	
Operation System support	Windows 10 Pro, Windows 11 Pro, Windows 10 IoT Entry, Windows 11 IoT Entry
Peripheral Options	
Wireless LAN	802.11 b/g/n

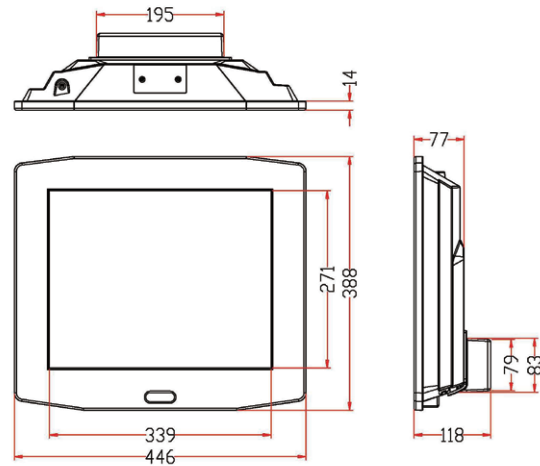
Dimensions

Unit: mm

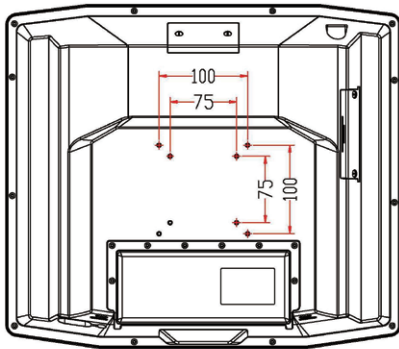
MES 6417R
446*81*388(mm) - External AC adapter



MES 6417R
446*118*388(mm) - Built-in AC adapter



VESA 75*75 & 100*100mm



I/O placement

