

Regular

Professional and Versatile LED Monitor

UltraView

UltraView Regular small size LED monitor series achieve high picture quality. Improved energy efficiency and fan-less architecture provides professional-use durability and around-the-clock operation.

15"



12"



10"



8"



6"



UltraView Regular professional LED is more than just a standalone monitor. UltraView has a variety of embedded modules including Multi-Monitor OSD Controller. The embedded modules give you the ability of video remote management and transmission for multiple monitors over network.

As a versatile Regular monitor, UltraView Regular professional LED is meticulously designed to meet professional and environmental demands including IP54 Front protection, Multi-touch, Anti-reflective/Vandal proof glass, DC power input, Brightness dimming and Mounting kit for VESA-mount, Universal-mount, Desktop stand and Panel mount.

With over 25 years' production experience, the UltraView structure is well-engineered and manufactured by our own CNC facilities and team of experts to ensure its ruggedness, mobility and quality, as well as being suitable for harsh environment applications. The structure can be customized if required to facilitate monitor installation. Our knowledgeable engineers are able to provide frame customization for specific dimensions, color, metal treatment, screen printing, bezel and mounting.

Product Highlights



Key Benefits

- ▶ 1024 x 768 / 800 x 600 / 640 x 480 native resolution
- ▶ 16.2 M colors / 262 K colors
- ▶ VGA video input
- ▶ Video decoding capability up to 1080p (option)
- ▶ Rugged structure ensures high mobility
- ▶ IP65 front protection (NAP series)
- ▶ Professional-use durability & around-the-clock operation
- ▶ 2-year standard warranty (upgradable up to 5 years)

Applications

- Broadcasting / Advertising
- Traffic control / Command center
- Directory / Ticket kiosk
- Surveillance system
- Vehicle mount display
- Bathroom TV

Options

- DC power
- Touchscreen
- IP65 front protection
- Custom chassis & mounting
- Auto-dimming

15" ~ 6"

Professional and Versatile LED Monitor

UltraView

6mm aluminum front bezel



AP-15
AP-12
AP-10
AP-8
AP-6

Aluminum front cover

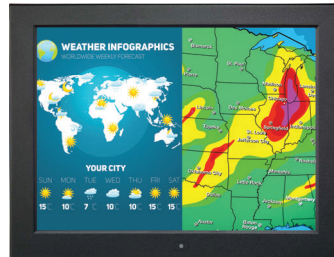


DP-15
DP-12
DP-10
DP-8
DP-6

Chassis customization

- ▶ Dimension
- ▶ Color & Treatment
- ▶ Screen Printing
- ▶ Stainless Steel Bezel

6mm aluminum front bezel
NEMA 4 / IP65 front protection



NAP-15
NAP-12
NAP-10
NAP-8
NAP-6

Universal open frame



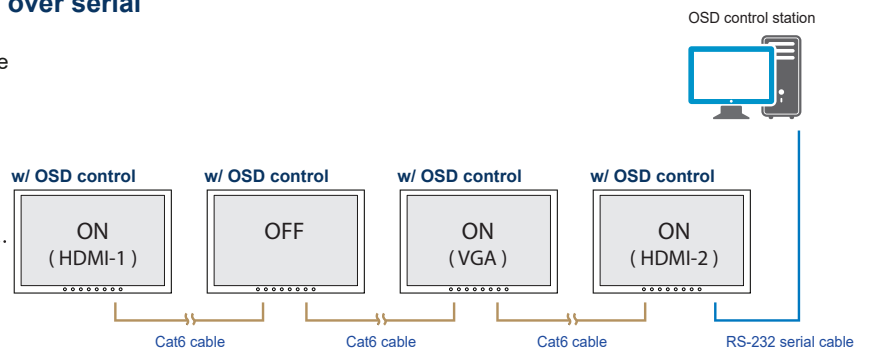
OP-15
OP-12
OP-10
OP-8
OP-6

Options — Video Management & Transmission over Network

Embedded Multi Monitor OSD Control Module over serial

- Remote control the monitor OSD via RS-232C serial interface
- Daisy chain up to 64 monitors via Cat5/6 cable
- Individual ID for individual monitor OSD settings
- Power ON or OFF monitor
- Adjust brightness & audio
- Switch video sources

Up to 64 monitors
Up to 1,000m distance



Part no.

Embedded Multi Monitor OSD Control Module : MCS

Embedded Manual Brightness Dimming Knob

- Easy-to-use IP54 dimming knob on the front panel
- One click causes 2% brightness increase or decrease
- Brightness adjustment from 0% to 100%

Part no.

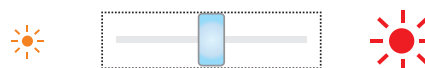
Brightness Dimming Knob : DS-01

Embedded Auto Brightness Dimming Module

- Brightness changes according to its ambient brightness
- Its brightness change causes 10% increase or decrease

Part no.

Embedded Brightness Auto Dimming Module : DA-01



Options — Touchscreen

Touchscreen type	15"	12"	10"	8"	6"
Projected Capacitive 10-point	✓	✓	✓		
e-Capacitive 1-point	✓	✓	✓	✓	✓
e-Resistive 1-point	✓	✓	✓	✓	✓
Anti-reflective Glass			✓		
Vandal Proof Glass			✓		

Specification : e-Capacitive 1-point Touch

	TCB e-Capacitive
Technology	Capacitive
Touch Point	Single
Input Type	Finger
Resolution	2048 x 2048
Response Speed	20 ms
Activation Force	≤ 50 g
Surface Hardness	9H
Light Transmission	92% ± 2%
Haze	7%
Durability	300 million touches
Top / Bottom Layer	Glass
Thickness	2.8 mm ± 10%
Connector	USB Type A
Compatibility	Windows 7 / XP / Linux / Mac

Part no. : TCB

* Not applicable to AP & NAP series

** Dimension change required

Specification : e-Resistive 1-point Touch

	TRB e-Resistive
Technology	5-Wire Resistive
Touch Point	Single
Input Type	Finger or Stylus
Resolution	2048 x 2048
Response Speed	15 ms
Activation Force	≤ 50 g
Surface Hardness	3H
Light Transmission	80% ± 3%
Haze	8% ± 3%
Durability	10 million touches
Top Layer	ITO Film
Bottom Layer	ITO Glass
Thickness	3.2 ± 0.2 mm
Connector	USB Type A
Compatibility	Windows 7 / XP / Linux / Mac

Part no. : TRB

* Not applicable to NAP series

** Dimension change required

Specification : Projected Capacitive 10-point Touch

	TPC-10 Multi-touch
Technology	Projected Capacitive
Touch Point	10 point touch standard (special requirement available)
Input Type	Finger or Capacitive Stylus
Resolution	4096 x 4096
Touch Point Accuracy	± 2 mm
Response Speed	< 5 ms
Activation Force	< 5 g
Surface Hardness	6H
Light Transmission	> 85%
Haze	3% ↓
Durability	50 million touches
Top Layer	1.1 mm Glass
Bottom Layer	0.7 mm Sensor Glass
Thickness	2 mm
Connector	USB
Compatibility	Windows / Linux / Android / Mac

Part no. : TPC10 (for 15" / 12" / 10")

* Not applicable to AP & NAP series

** Dimension change required

Options — DC Power

		12V	24V	48V	125V
Input rating	Input voltage	12-Volt	24-Volt	48-Volt	110-Volt
	Input range	9 ~ 18V	18 ~ 36V	36 ~ 75V	66 ~ 160V
Input current	No load	50 mA	50 mA	50 mA	35 mA
	Full load	4950 mA	2450 mA	1220 mA	749 mA
Output rating	Output voltage	12-Volt	12-Volt	12-Volt	12-Volt
	Output current	4.16A	4.16A	4.16A	6.25A
Efficiency		84%	85%	85%	91%


Part no. : 12VDC
24VDC
48VDC
125VDC

Product Specifications

LCD Panel	15"	12"	10"	8"	6"
Panel size (diagonal)	15"	12.1"	10.4"	8.4"	6.5"
Native resolution	1024 x 768	800 x 600	800 x 600	800 x 600	640 x 480
Brightness (cd/m ²)	350	450	230	250	800
Contrast ratio (typ.)	800 : 1	700 : 1	500 : 1	600 : 1	600 : 1
Colors	16.2 M	262 K	262 K	262 K	262 K
Viewing angle (L/R/U/D)	80/80/70/80	80/80/65/75	80/80/60/70	80/80/80/60	80/80/70/70
Response time (ms)	8	35	35	30	25
Dot pitch (mm)	0.297	0.3075	0.213	0.213	0.207
Display area (mm)	304.128H x 228.096V	246H x 184.5V	211.2H x 158.4V	170.4H x 127.8V	132.48H x 99.36V
Surface treatment	Haze 25%	Anti-glare	Anti-glare	Anti-glare	Anti-glare, Hard-coating
Surface hardness	3H				
Backlight type	CCFL	LED			
MTBF (hrs)	50,000	50,000	30,000	30,000	50,000

Mounting	15"	12"	10"	8"	6"
VESA mount (bundle)	100 x 100 mm	75 x 75 mm	75 x 75 mm	75 x 75 mm	75 x 75 mm
Universal mount (ready)	OP only	OP only	OP only	OP only	OP only
Overhead tilted wall-mount (optional)	AP / NAP / DP	AP / NAP / DP	AP / NAP / DP	AP / NAP / DP	AP / NAP / DP
Desktop stand (optional)	AP / NAP / DP	AP / NAP / DP	AP / NAP / DP	AP / NAP / DP	AP / NAP / DP

Power	15"	12"	10"	8"	6"
Input	Auto-sensing 100 to 240VAC, 50 / 60Hz				
Max. Consumption :					
Screen on	22W	14W	14W	14W	14W
Saving mode	4W				
Button off	1W				

Design	AP	NAP 	DP	OP
Protection	6mm front bezel	NEMA 4 / IP65	Front cover	Open frame
Front panel	Black, RAL 9005			-
Rear casing	Black, RAL 9005			

Video	
VGA	Analog 0.7Vp-p

Video Option	
DVI	DVI-D single link (for 15" / 12")
HDMI	HDMI 1.2 / HDCP 1.1 (for 15" / 12")
Composite (BNC)	NTSC & PAL
S-Video (4-pin)	NTSC & PAL

Audio Option	
Audio input :	
Connector	3.5mm stereo jack
Impedance / Power level	30kΩ / 750mV
Audio output :	
Connector	3.5mm stereo jack
Resistance / Power level	30kΩ / 2.8V
Speaker :	
Dual stereo speaker	2W x 2

* When the audio output is connected, speaker output is OFF

DVI-D / VGA input		
PC signal	15" only	1024 x 768 x 60 / 70 / 75Hz
	15" only	848 x 480 x 60Hz
	15" / 12" / 10" / 8"	800 x 600 x 60 / 72 / 75Hz
	15" / 12" / 10" / 8"	720 x 400 x 70Hz
		640 x 480 x 60 / 72 / 75Hz
		640 x 400 x 70Hz
		640 x 350 x 70Hz
Audio signal	2ch Linear PCM	

HDMI input (for 15" / 12")	
PC signal	Same as VGA
HDMI 1.2	720 x 480 x 50 / 60Hz (576p / 480p)
Audio signal	2ch Linear PCM

Product Specifications

Environment	
Operating temp.	0 to 55°C degree
Storage temp.	-20 to 60°C degree
Operating humidity	20~90%, non-condensing
Storage humidity	5 ~90%, non-condensing
Operating altitude	16,000 ft
Non-operating altitude	40,000 ft
Shock	10G acceleration (11ms duration)
Vibration	10~300Hz 0.5G RMS random

Compliance	
EMC	FCC & CE certified
Safety	CE / LVD certified
Environment	RoHS2 & REACH compliant

Physical Dimension & Weight

15"		AP-15	NAP-15	DP-15	OP-15
Product (W x D x H) :	mm inch	407 x 59.1 x 313.6 16 x 2.3 x 12.3		376 x 54.4 x 282.6 14.8 x 2.1 x 11	404 x 53.1 x 310.6 15.9 x 2.1 x 12.2
Net weight		4.7 kg / 10.3 lb	4.7 kg / 10.3 lb	4.1 kg / 9 lb	3.5 kg / 7.7 lb
Packing (W x D x H) :	mm inch	615 x 113 x 523 24.2 x 4.4 x 20.6			
Gross weight		7.3 kg / 16.1 lb	7.3 kg / 16.1 lb	6.7 kg / 14.7 lb	6.1 kg / 13.4 lb
12"		AP-12	NAP-12	DP-12	OP-12
Product (W x D x H) :	mm inch	344.7 x 68.2 x 256 13.6 x 2.7 x 10.1		313.7 x 63.5 x 255 12.4 x 2.5 x 10	341.7 x 62.2 x 253 13.5 x 2.5 x 10
Net weight		3.5 kg / 7.7 lb	3.5 kg / 7.7 lb	3 kg / 6.6 lb	2.5 kg / 5.5 lb
Packing (W x D x H) :	mm inch	515 x 117 x 429 20.3 x 4.6 x 16.9			
Gross weight		5.5 kg / 12.1 lb	5.5 kg / 12.1 lb	5 kg / 11 lb	4.4 kg / 9.7 lb
10"		AP-10	NAP-10	DP-10	OP-10
Product (W x D x H) :	mm inch	284.7 x 62.8 x 222 11.2 x 2.5 x 8.7		253.7 x 58.1 x 191 10 x 2.3 x 7.5	281.7 x 56.8 x 219 11.1 x 2.2 x 8.6
Net weight		2.6 kg / 5.7 lb	2.6 kg / 5.7 lb	2.2 kg / 4.8 lb	1.8 kg / 4 lb
Packing (W x D x H) :	mm inch	515 x 117 x 429 20.3 x 4.6 x 16.9			
Gross weight		4.6 kg / 10.1 lb	4.6 kg / 10.1 lb	4.2 kg / 9.2 lb	3.7 kg / 8.1 lb
8"		AP-8	NAP-8	DP-8	OP-8
Product (W x D x H) :	mm inch	264.7 x 62.8 x 192 10.4 x 2.5 x 7.6		234.1 x 65.3 x 161.4 9.2 x 2.6 x 6.4	261.7 x 56.8 x 189 10.3 x 2.2 x 7.4
Net weight		2.4 kg / 5.3 lb	2.4 kg / 5.3 lb	2 kg / 4.4 lb	1.5 kg / 3.3 lb
Packing (W x D x H) :	mm inch	515 x 117 x 429 20.3 x 4.6 x 16.9			
Gross weight		4.3 kg / 9.5 lb	4.3 kg / 9.5 lb	3.9 kg / 8.6 lb	3.4 kg / 7.5 lb
6"		AP-6	NAP-6	DP-6	OP-6
Product (W x D x H) :	mm inch	254.7 x 67.8 x 182 10 x 2.7 x 7.2		224.1 x 70.3 x 151.4 8.8 x 2.8 x 6	251.7 x 61.8 x 179 9.9 x 2.4 x 7
Net weight		2.1 kg / 4.6 lb	2.1 kg / 4.6 lb	1.8 kg / 4 lb	1.5 kg / 3.3 lb
Packing (W x D x H) :	mm inch	515 x 117 x 429 20.3 x 4.6 x 16.9			
Gross weight		4.1 kg / 9 lb	4.1 kg / 9 lb	3.8 kg / 8.4 lb	3.4 kg / 7.5 lb

* All dimensions stated are subject to change if options are selected / integrated to base model part codes

UltraView Family

UltraView series covers a full range of professional LCD display sizes from 6.5" to 55". Please select from the below the most suitable model for your application.

Sales Inquiry

inquiry@austin-hughes.com

Technical Support

support@austin-hughes.com

4K	FHD	FHD 144Hz	WXUGA (1920 x 1200)	Regular
<ul style="list-style-type: none"> ● K55" ● K43" ● K32" ● K28" ● K23" ● K17" ● K15" 	<ul style="list-style-type: none"> ● F55" ● F43" ● F32" ● F28" ● F23" ● F21" ● F17" ● F15" 	<ul style="list-style-type: none"> ● MF17 ● MF27 	<ul style="list-style-type: none"> ● X24" ● X17" 	<ul style="list-style-type: none"> ● W19" (1440 x 900) ● 20" (1600 x 1200) ● 19" (1280 x 1024) ● 17" (1280 x 1024) ● 15" (1024 x 768) ● 12" (800 x 600) ● 10" (800 x 600) ● 8" (800 x 600) ● 6" (640 x 480)

High Brightness

4K	FHD	Regular
<ul style="list-style-type: none"> ● K55" ● K43" 	<ul style="list-style-type: none"> ● F55" ● F43" ● F32" ● F21" ● F17" ● F15" 	<ul style="list-style-type: none"> ● W19" (1440 x 900) ● 19" (1280 x 1024) ● 17" (1280 x 1024)

Sunlight Readable Brightness

Americas

Austin Hughes Solutions Inc.
32900 Alvarado-Niles Rd, Suite 150
Union City, CA 94587
United States

inquiry@austin-hughes.com

EMEA

Austin Hughes Europe Ltd.
Unit 1, Chancery Gate Business Centre
Manor House Avenue
Southampton, SO15 0AE
United Kingdom

info@austin-hughes.eu

APAC

Austin Hughes Electronics Ltd.
Unit 3608-12, Cable TV Tower
9 Hoi Shing Road, Tsuen Wan
Hong Kong

inquiry@austin-hughes.com

ASEAN

Austin Hughes Pte. Ltd.
3 Ang Mo Kio Street 62
#07-03 Link@AMK
Singapore 569139

inquiry@austin-hughes.com

Austin Hughes has an extensive distribution network, including the Americas, EMEA, APAC & ASEAN. Contact your nearest sales office for details of local representation.

Please ask for details of other products from Austin Hughes. Every effort has been made to ensure that the information contained herein is correct. There is a possibility that the image(s) shown may not be exactly the same as the final product. The company reserves the right to modify product specifications without prior notice and assumes no responsibility for any error which may appear in this publication.

All brand names, logo and registered trademarks are properties of their respective owners. Copyright 2019 Austin Hughes Electronics Ltd. All rights reserved.

Distributed by:

Distributor by country on application