

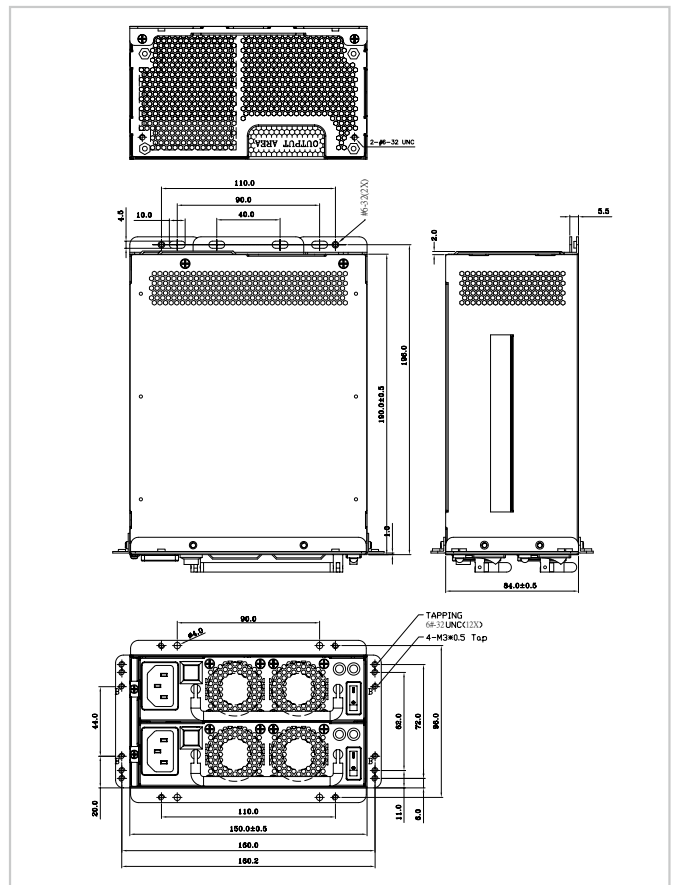
63050-010500-010-RS

**500 W ATX Mini
Redundant Power Supply**

Specifications

| | | | | |
|------------------------|------------------|--|-----------|----------------|
| Input | Voltage | 90 ~ 264 VAC Full Range | | |
| | Frequency | 47 Hz ~ 63 Hz | | |
| | Input Current | 6 A (RMS) @115 VAC, 3 A (RMS) @230 VAC | | |
| | Inrush Current | 40 A max. for 115 VAC, 80 A max. for 230 VAC | | |
| Output | Voltage | Min. load | Max. load | Ripple & Noise |
| | +3.3 V | 0 A | 20.0 A | 50mVp-p |
| | +5 V | 0 A | 20.0 A | 50mVp-p |
| | +12V | 1 A | 40.0 A | 1200mVp-p |
| | -5 V | 0 A | 0.3 A | 200mVp-p |
| | -12 V | 0 A | 0.5 A | 200mVp-p |
| | +5 VSB | 0 A | 3 A | 50mVp-p |
| General Specifications | Watt | 500 W | | |
| | Hold-up Time | The power supply holdup time requirements to 100% of maximum load. | | |
| | Efficiency | 84% min | | |
| | MTBF | 100,000 hours | | |
| | Temperature | Operating: 0°C ~ 50°C, Storage: -20°C ~ 80°C | | |
| | Dimensions | 150 × 84 × 190 (mm) | | |
| | Output Connector | 1 x 24-pin ATX, 2 x 4+4-pin 12V CPU, 2 x HDD/CDROM, 1 x FDD, 2 x SATA, 1 x T.T.L signal, 1 x LED power | | |

Dimensions (Unit: mm)



Ordering Information

| Part No. | Description |
|---------------------|--|
| 63050-010500-010-RS | 500W ATX Redundant Power Supply, includes two 63050-010500-000-RS with PFC function; CCL |
| 63050-010500-000-RS | 500W AC-DC ATX Redundant module, for 63050-010500-010-RS with PFC, CCL, RoHS |