

PPC-F Bay Trail Fanless Series

12"/15"/17"/19" Fanless Intel® Bay Trail Solution

Features

- Intel® Celeron® J1900 quad-core SoC
- Robust IP65 aluminum front bezel
- Aesthetic ultra-thin bezel for seamless panel mount installation
- Projected capacitive multi-touch and resistive single touch options
- Dual full-size PCIe Mini card expansion
- 9V~36V DC wide range DC input



Specifications

Model		PPC-F12B-BT	PPC-F15B-BT	PPC-F17B-BT
LCD	LCD Display	12.1" (4:3)	15" (4:3)	17" (5:4)
	Max. Resolution	1024 (W) x 768 (H)	1024 (W) x 768 (H)	1280 (W) x 1024 (H)
	Brightness (cd/m ²)	600	450	350
	Contrast Ratio	700 : 1	800 : 1	800 : 1
	LCD Color	16.2M	16.2M	16.7M
	Pixel Pitch (mm)	0.24 x 0.24	0.297 x 0.297	0.26 x 0.26
	Viewing Angle (H-V)	160° / 140°	160° / 150°	170° / 160°
	Backlight MTBF (hrs)	50000	70000	50000
Motherboard	CPU	Intel® Celeron® processor J1900 (2M cache, up to 2.42 GHz)		
	RAM	2 x 204-pin DDR3L SO-DIMM slot (max. 8GB), pre-installed with 2GB		
Touch	Touchscreen & Controller	5-wire resistive single touch window, 3H/Penmount DMC9000 (Anti-glare Surface) 10-point Projected capacitive touch window, 6H/EETI EXC3188 (Anti-UV, Anti-glare Surface)		
Input Interfaces	I/O Ports & Switches	2 x RJ-45 LAN port 2 x USB 3.2 Gen 1 (5Gb/s) 2 x USB 2.0 1 x HDMI 2 x RS-232 1 x RS-232/422/485 1 x VGA 1 x 9 V~36 V DC jack (4-pin) 1 x 9 V~36 V DC terminal block 1 x Line-out (PPC-F15B & PPC-F17B & PPC-F19B only) 1 x Power switch		
	Expansion	1 x Full-size PCIe Mini slot (mSATA/PCIe/USB signal) 1 x Full-size/half-size PCIe Mini slot (PCIe/USB signal)		
Wireless LAN		802.11 b/g/n (optional)		
Drive Bay		1 x 2.5" HDD/SSD drive bay		
Physical	Construction Material	Aluminum front panel and sheet metal rear cover		
	Mounting	Panel mount, rack mount, VESA 100x100		
	Enclosure Color	Black C		
	Dimensions (mm) (W x L x D)	262.2 x 322.2 x 47.2	303 x 378.5 x 46.2	341.4 x 408.4 x 51.8
	Weight (Net)	3.2 kg	4.1 kg	5 kg
	Cutout Dimensions (mm)	244.8 x 304.8	285.6 x 361	323 x 390
Environment	Operating Temperature (with air flow)	-10°C~50°C (14°F~122°F)		
	Storage Temperature	-20°C~60°C (-4°F~140°F)		
	Humidity	10% to 95% (non-condensing)		
	IP Level	IP 65 compliant front panel		
Power	Safety and EMC	CE & FCC Class A certified		
	Power Adapter	P/N: 63040-010060-220-RS 60W Power Adapter Input: 90 ~ 264V AC, 50/60Hz Output: 12V DC		
	Power Requirement	9 V~36 V DC		
	Power Consumption	40W	41W	42W

Ordering Information

Part No.	Description
PPC-F12B-BT-J1/2G/PC-R14	12.1" 600 cd/m2 XGA Panel PC with Intel® Celeron® Processor J1900, TDP 10W, 2GB RAM*1, black color, Powder paint, 9-36V DC input, projected capacitive touch window with AG coating, R14
PPC-F12B-BT-J1/2G/R-R14	12.1" 600 cd/m2 XGA Panel PC with Intel® Celeron® Processor J1900, TDP 10W, 2GB RAM*1, black color, Powder paint, 9-36V DC input, resistive touch window with AG coating, R14
PPC-F15B-BT-J1/2G/R-R24	15" 450 cd/m2 XGA Panel PC with Intel® Celeron® Processor J1900, TDP 10W, 2GB RAM*1, black color, Powder paint, 9-36V DC input, resistive touch window with AG coating, R24
PPC-F17B-BT-J1/2G/R-R15	17" 350 cd/m2 SXGA Panel PC with Intel® Celeron® Processor J1900, TDP 10W, 2GB RAM*1, black color, Powder paint, 9-36V DC input, resistive touch window with AG coating, R15

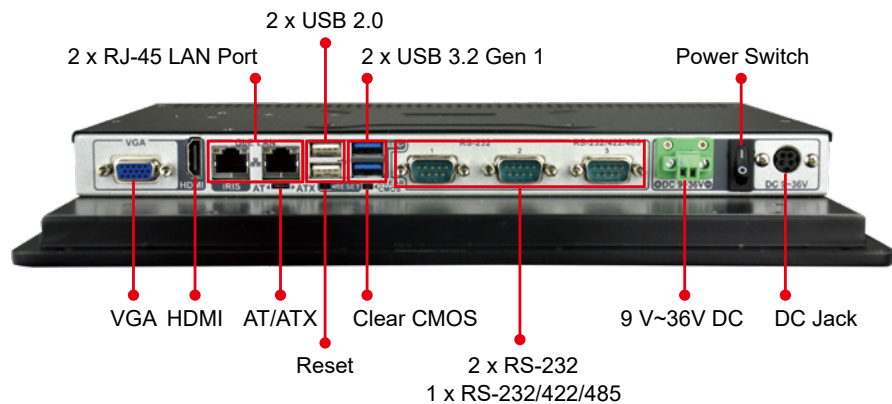
Options

Item	PPC-F12B	PPC-F15B	PPC-F17B
Arm	N/A		
Stand	STAND-C12-R10	STAND-C19-R10	STAND-C19-R10
Wall Mount Kit	WK-190MS-R10		
Panel Mount Kit	FPK-09-R10	FPK-10-R10	FPK-10-R10
Rack Mount Kit	FRK12-R11	FRK15-R11	FRK17-R11
Wi-Fi Kit	EMB-WIFI-KIT01-R20	EMB-WIFI-KIT11-R20	EMB-WIFI-KIT11-R20

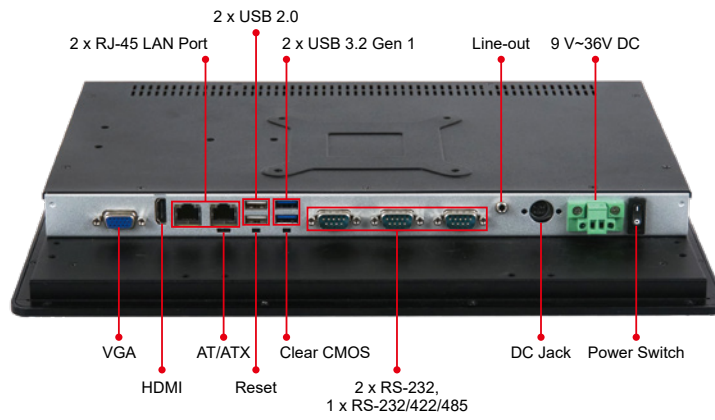
Packing List

Item	Q'ty	Remark
PPC-FxxB-BTi Panel PC	1	
Power Cord	1	Part numbers vary by regions
Screw Pack	1	Including necessary screws
Power Adapter	1	9V~36V DC (P/N: 63040-010060-220-RS)

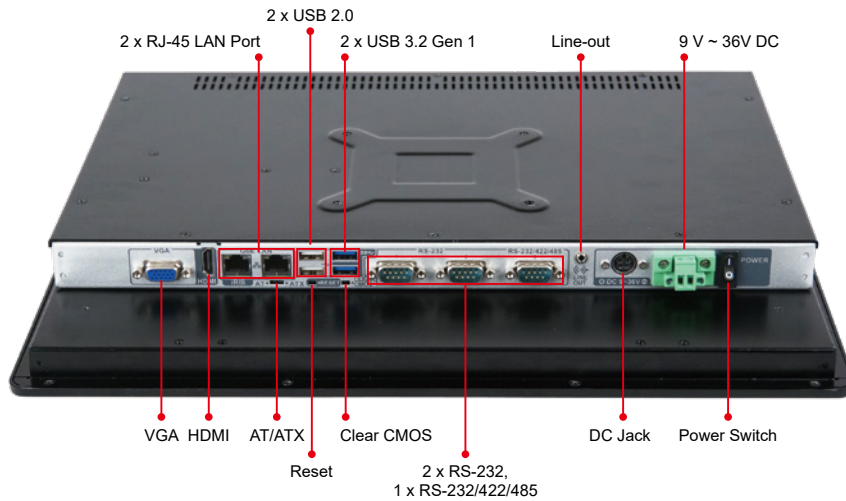
PPC-F12B Fully Integrated I/O



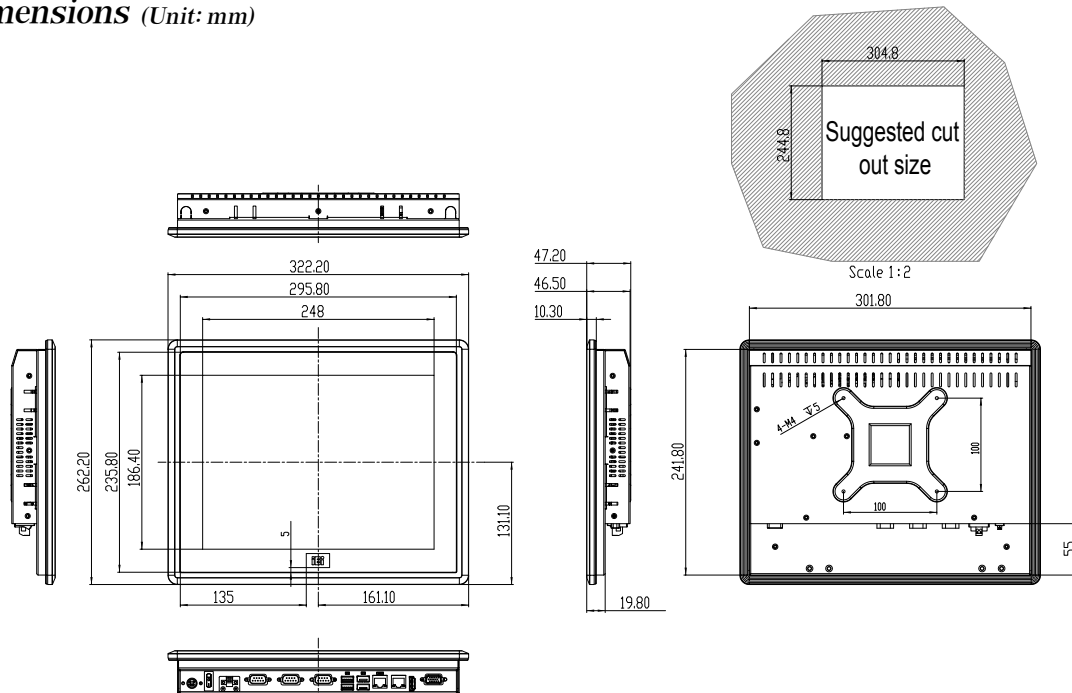
PPC-F15B
Fully Integrated I/O



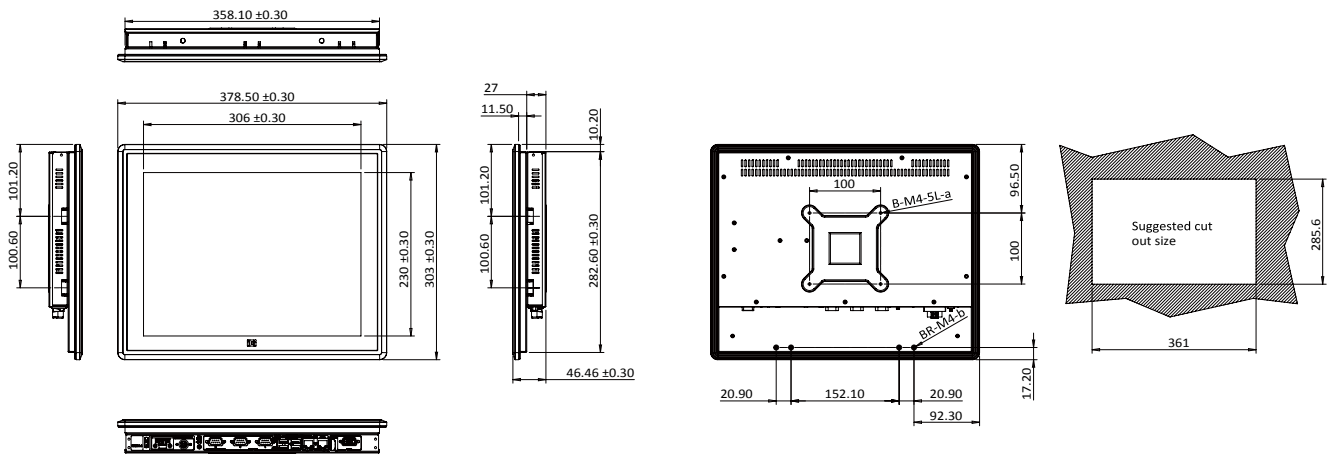
PPC-F17B
Fully Integrated I/O



PPC-F12B
Dimensions (Unit: mm)



PPC-F15B Dimensions (Unit: mm)



PPC-F17B Dimensions (Unit: mm)

