

Step 2: Slide the rear of the DM-F series LCD monitor through the rack/cabinet bracket until the aluminum frame is flush against the front of the bracket (**Figure 3-31**).

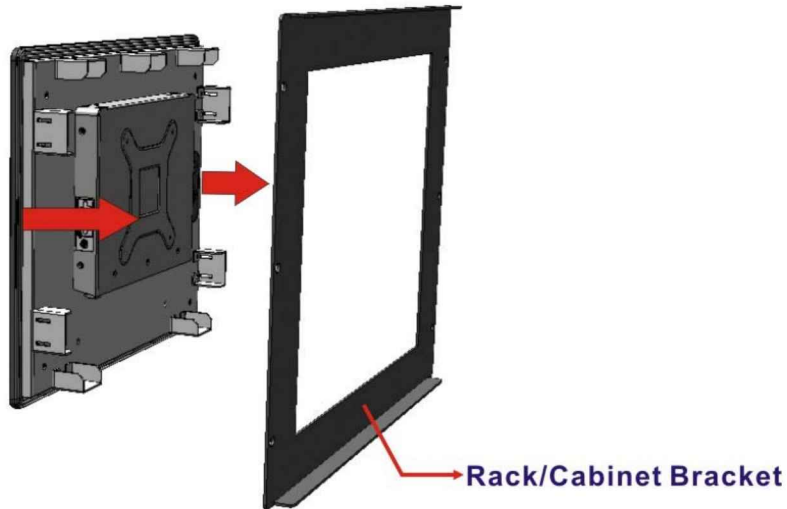


Figure 3-31: Slide into the Rack/Cabinet Bracket

Step 3: Insert the panel mounting clamps into the pre-formed holes of the clamp holders (**Figure 3-32**).

Step 4: Tighten the screws that pass through the rack mounting clamps until the plastic caps at the front of all the screws are firmly secured to the bracket (**Figure 3-32**).

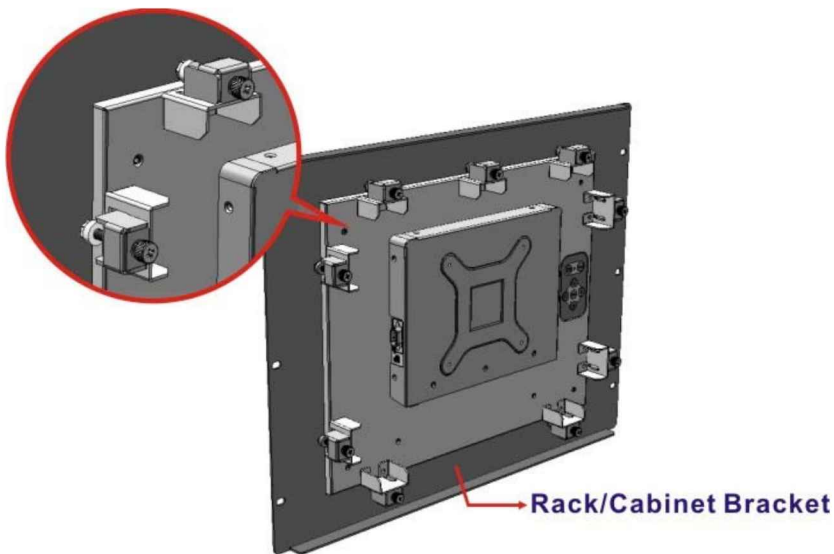


Figure 3-32: Secure the Rack/Cabinet Bracket