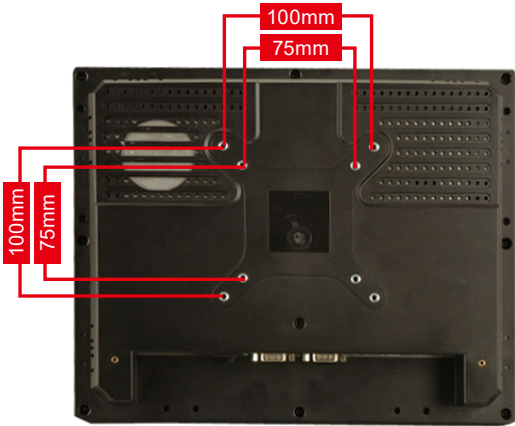


IEI Quick Mounting Technology

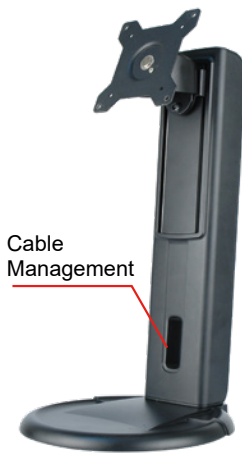


Compliant with VESA Mounting Standards

IEI panel solutions have four mounting holes compliant with the VESA (Video Electronics Standards Association) mounting standard (75mm x 75mm/100mm x 100mm) on the rear panel for stand mounting and other mounting methods.

» Stand Mounting

• VESA 75/100 Universal Stand



Cable Management

STAND-A21-R10



Portrait/Landscape



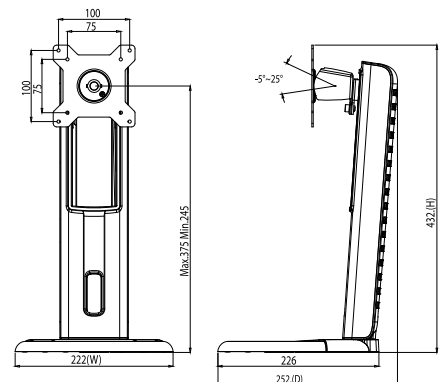
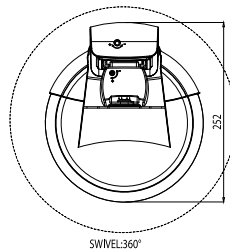
Height Adjustment (13 cm)



Right/Left Pan (360°)



Forward/Backward Tilt (+25°/-5°)



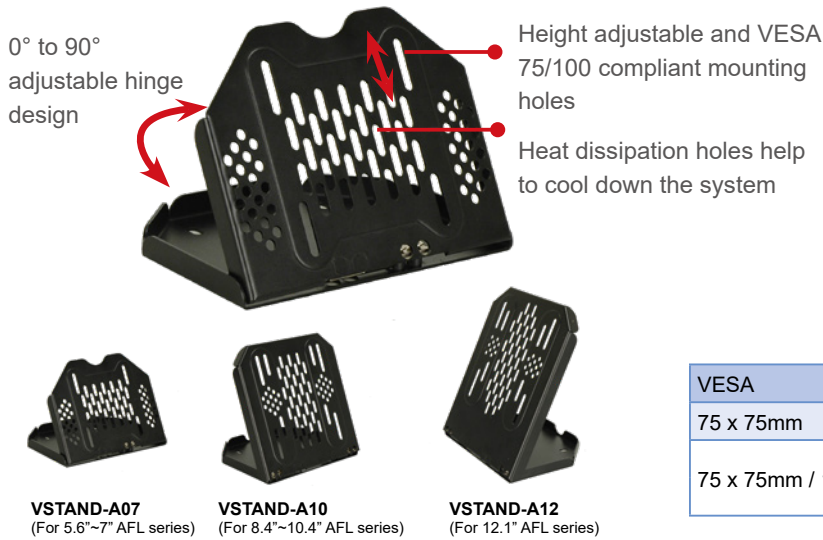
Ordering Information

Part No.	Description
STAND-A21-R10	15"~21" VESA 75x75 mm/100x100 mm PPC/Monitor Stand, support from 6 KG to ~12 KG, Black, RoHS

» V-STAND

VESA Multi-Mounting Stand

IEI patented multi-mounting V-Stand allows wall, ceiling, desk, rear and side mounting to meet diverse applications. Its 0° to 90° adjustable hinge design provides optimal viewing in various environments, such as kitchen, room or shelf.



- Features:**
- 0° to 90° adjustable hinge design allows comfortable viewing
 - Standard VESA 75/100 compliance
 - Heat dissipation holes
 - Compact size, easy to use for mounting anywhere

VESA	Model
75 x 75mm	VSTAND-A07-R11
75 x 75mm / 100 x 100mm	VSTAND-A10-R11
	VSTAND-A12-R11

A. One fits all solution

The V-Stand is a compact and tilt adjustable mounting stand providing mobility and ergonomic comfort to fit common wall mounting and ceiling mounting situations.



B. 0° to 90° excellent adjustability

You can change the angle of the stand from 0° to 90° to reach almost any point with ergonomic features for comfortable viewing.



C. Space saving and easy installation

Compact size provides mobility



