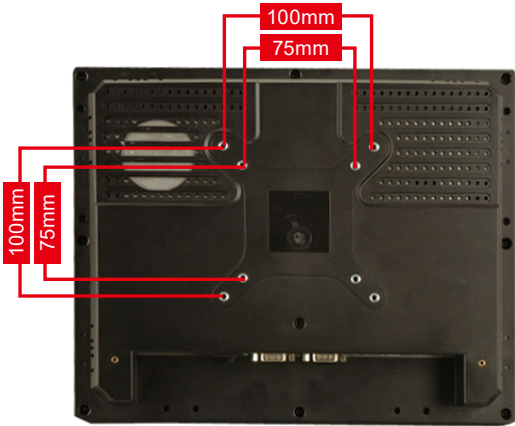


# IEI Quick Mounting Technology

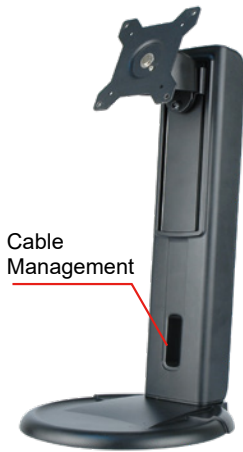


## Compliant with VESA Mounting Standards

IEI panel solutions have four mounting holes compliant with the VESA (Video Electronics Standards Association) mounting standard (75mm x 75mm/100mm x 100mm) on the rear panel for stand mounting and other mounting methods.

## » Stand Mounting

### • VESA 75/100 Universal Stand



**STAND-A21-R10**



Portrait/Landscape



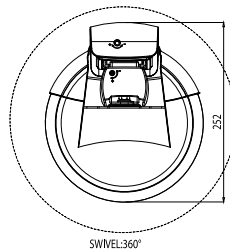
Height Adjustment (13 cm)



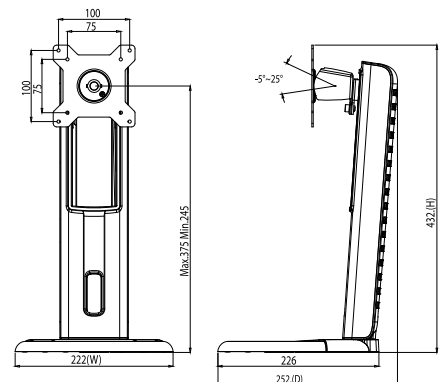
Right/Left Pan (360°)



Forward/Backward Tilt (+25°/-5°)



SWIVEL:360°

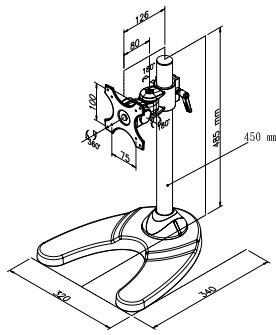


## Ordering Information

Part No.	Description
STAND-A21-R10	15"~21" VESA 75x75 mm/100x100 mm PPC/Monitor Stand, support from 6 KG to ~12 KG, Black, RoHS



**STAND-210**



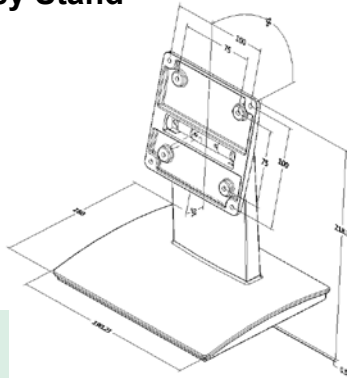
### Ordering Information

Part No.	Description
STAND-210-R11	<ul style="list-style-type: none"> <li>• Support VESA 75/100 standard</li> <li>• Weight capacity from 7kg~10kg</li> </ul>

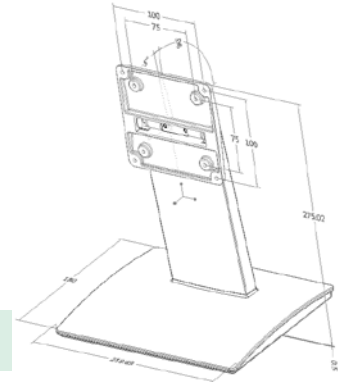
### • VESA 75/100 Easy Stand



**STAND-C12-R10**



**STAND-C19-R10**



Tilt Forward/Backward

### Ordering Information

Part No.	Description
STAND-C12-R10	5.7" ~ 12.1" VESA 100x100mm, 75x75mm PPC/Monitor Stand, support up to 7.5kg, Black color, RoHS
STAND-C19-R10	15"~19" VESA 100x100mm, 75x75mm PPC/Monitor Stand, support up to 15kg, Blackcolor, RoHS

## DIN Rail Kit

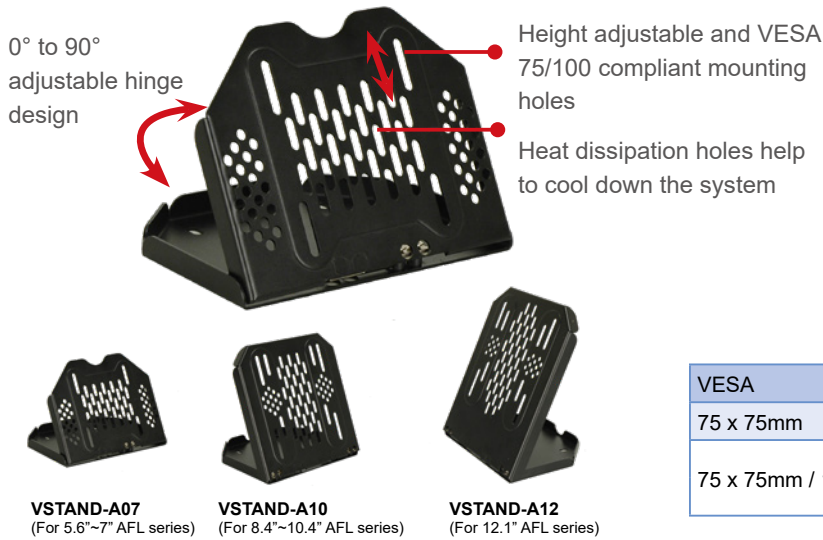


Model Name	DK-75-R10	DK-100-R10
Specification	850 mm (W) x 75mm (D)	110 mm (W) x 100 mm (D)
Description	VESA 75 to DIN-rail kit	VESA 100 to DIN-rail kit

# » V-STAND

## VESA Multi-Mounting Stand

IEI patented multi-mounting V-Stand allows wall, ceiling, desk, rear and side mounting to meet diverse applications. Its 0° to 90° adjustable hinge design provides optimal viewing in various environments, such as kitchen, room or shelf.



- Features:**
- 0° to 90° adjustable hinge design allows comfortable viewing
  - Standard VESA 75/100 compliance
  - Heat dissipation holes
  - Compact size, easy to use for mounting anywhere

VESA	Model
75 x 75mm	VSTAND-A07-R11
75 x 75mm / 100 x 100mm	VSTAND-A10-R11
	VSTAND-A12-R11

### A. One fits all solution

The V-Stand is a compact and tilt adjustable mounting stand providing mobility and ergonomic comfort to fit common wall mounting and ceiling mounting situations.



### B. 0° to 90° excellent adjustability

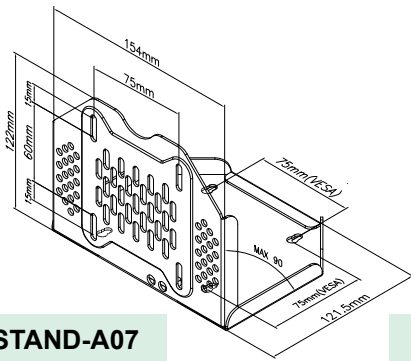
You can change the angle of the stand from 0° to 90° to reach almost any point with ergonomic features for comfortable viewing.



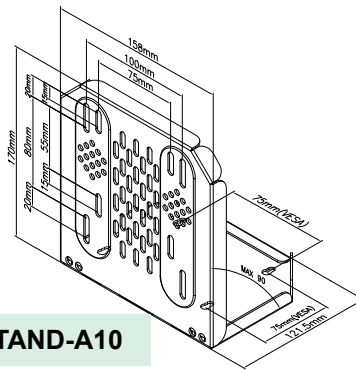
### C. Space saving and easy installation

Compact size provides mobility

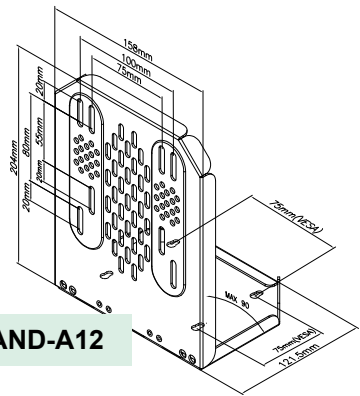




VSTAND-A07



VSTAND-A10



VSTAND-A12

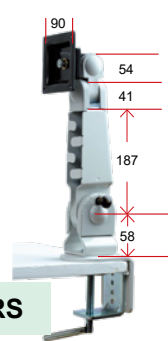
## Ordering Information

Part No.	Description
VSTAND-A07-R11	LCD monitor / PPC stand V type, for AFL series, VESA 75, 0°~90° degree adjustable hinge, support up to 2.5 kg, RoHS
VSTAND-A10-R11	LCD monitor / PPC stand V type, for AFL series, VESA 75/100, 0°~90° degree adjustable hinge, support up to 3 kg, RoHS
VSTAND-A12-R11	LCD monitor / PPC stand V type, for AFL series, VESA 75/100, 0°~90° degree adjustable hinge, support up to 3.5 kg, RoHS

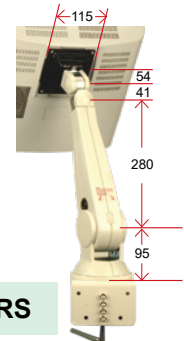
## ARM

### VESA 75/100 Desk ARM

VESA	Model
75x75mm/100x100mm	ARM-11-RS
	ARM-31-RS



ARM-11-RS



ARM-31-RS

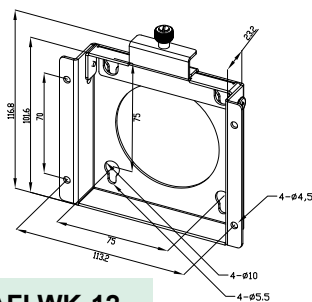
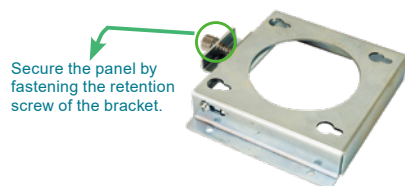
## Ordering Information

Part No.	Description
ARM-11-RS	LCD Monitor / PPC ARM, VESA 75/100, 3kg~6kg, RoHS
ARM-31-RS	LCD Monitor / PPC ARM, VESA 75/100, 7kg~14kg, RoHS

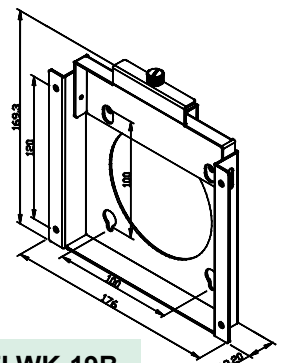
## Wall Mounting

### VESA 75/100 Wall Mounting

VESA	Model
75x75mm/100x100mm	AFLWK-12
	AFLWK-19B



AFLWK-12



AFLWK-19B

## Ordering Information

Part No.	Description
AFLWK-12	5.6"~12" VESA 75x75mm PPC/Monitor Wall Mount Kit with Retention Screw, Silver color, RoHS
AFLWK-19B	15"~19" VESA 100x100mm PPC/Monitor Wall Mount Kit with Retention Screw, Silver color, RoHS