

75 mm TRACKBALLMODULE

GK75

The GK75 is a very high specification, back of panel mounted trackball with large 75 mm ball diameter. It is constructed from PPS and benefits from its large diameter shafts and bearings for smooth running. It is designed to be rear-panel mounted as part of OEM systems, where reliability, robustness and an extensive life span are essential. The large ball provides the perfect solution for high performance, high resolution applications.



SPECIFICATIONS

- Sealing : none, IP40
- Casing material : PPS polypropylene-disulphide
- Top plate material : PPS polypropylene-disulphide
- Ball material : Phenolic resin
- Ball colour : Yellow or black
- Ball diameter : 76,2 mm
- Weight : 650 grams
- Shaft diameter : 9,5 mm
- Tracking force : 15 grams nominal
- Mounting angle : Max. 30° to horizontal plane
- Lifetime - Ball revolutions : > 2 million
- Storage temperature : -20°C to +80°C
- Operating temperature : -10°C to +60°C
- Relative humidity : 95% non-condensing
- Vibration : 5G, 5-2KHz any plane

CONNECTIVITY

The GK75-1502 is PS/2 compatible. The GK75-1602 can be plugged into any USB port or hub. Both types are supplied with 1,6m long shielded straight cables and external switch cables. No device driver is supplied with the unit. Please use standard available drivers in your operating system.

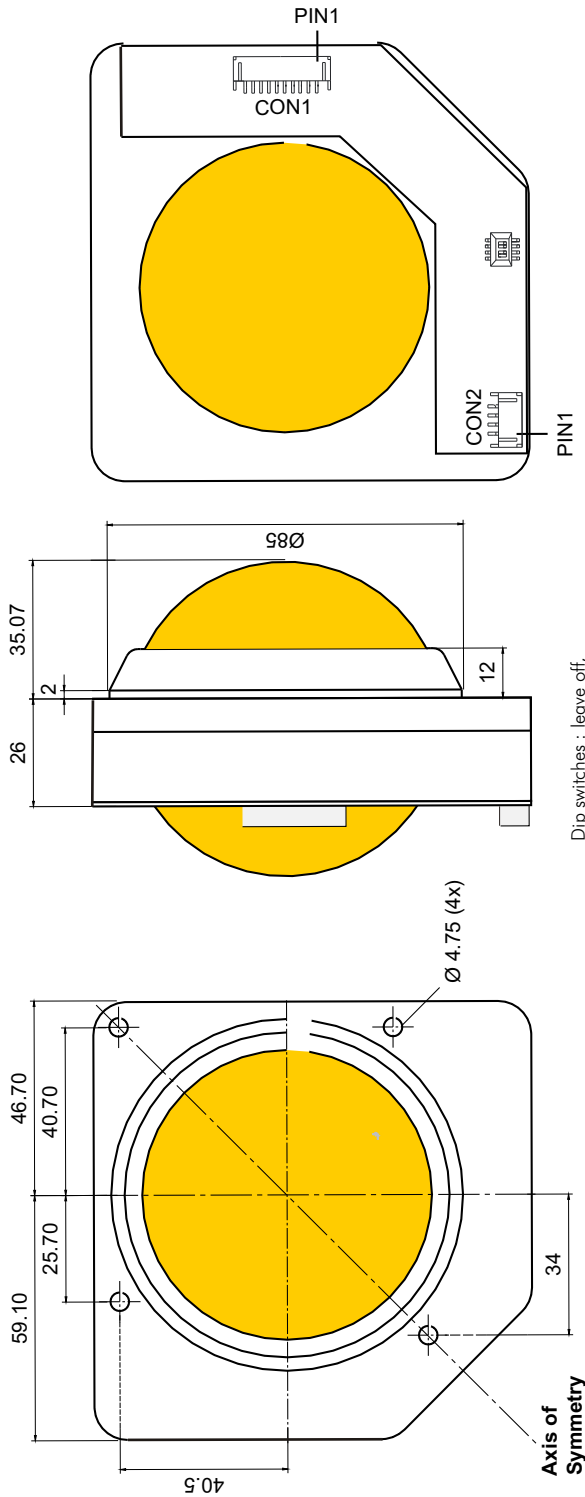
* Due to the increasing differences of the PS/2 mouse port specifications of the various PC manufacturers, we do recommend that this unit should be tested on the final PC configuration and operating system prior to installing it in series.

ORDER INFO

Output	Ball colour	Order Number	Consisting of :
PS/2	Yellow ball	GK75-1502	P75-160244 : Trackball module only, yellow ball OR P75-160240 : Trackball module only, black ball OC6010160 : 1,6 m shielded cable with 6 pin mini DIN plug IC040035 : 35 cm switch cable (4 wires) to CON2
	Black ball	GK75-1502B	
USB	Yellow ball	GK75-1602	P75-160244 : Trackball module only, yellow ball OR P75-160240 : Trackball module only, black ball OC5010160 : 1,6 m shielded cable with USB type A plug IC040035 : 35 cm switch cable (4 wires) to CON2
	Black ball	GK75-1602B	

75 mm TRACKBALLMODULE

DIMENSIONAL DRAWING



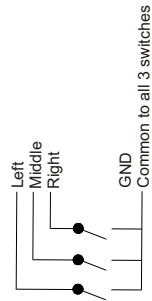
Dip switches : leave off,
for factory use only.

CON1

Pin	PS/2 or USB
1	-
2	-
3	-
4	-
5	-
6	-
7	Vcc
8	Data/D-
9	CLK/D+
10	GND

CON2

Pin	Connector 2 Switch input
1	Left switch
2	Middle switch
3	Right switch
4	GND (common)



Dim in mm.

Connector type CON1, CON2 : JST PH Series 2,0mm pitch.
Mating part to connector CON1, CON2 : JST KR Series 2,0mm pitch.
Type numbers: 04KR-8M (CON2), 10KR-8M(CON1)

The company reserves the right to alter without prior knowledge the specification or design of any standard product or service.