

N-1417
N-1419

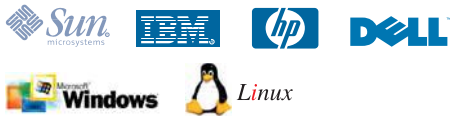


LCD Drawer Benefits

- ▶ Short depth design of 480mm (18.9") only
- ▶ Depth will suit a 600mm rack application
- ▶ "One Man" installation slides for easy, quick installation
- ▶ 104 key notepad keyboard with full numerical pad

Drawer Features & Options

- 1U rackmount drawer with either 17" or 19" LCD
- Combo interface either PS/2 or USB input to the LCD drawer
- Multiple keyboard language selections with either touchpad or trackball
- Slide rails with fixed positions to prevent drawer movement when typing
- An aesthetically enhanced latching front panel to release the two point lock



Options page 103~104 for full details



S-Video + BNC



DC Power



DVI-D



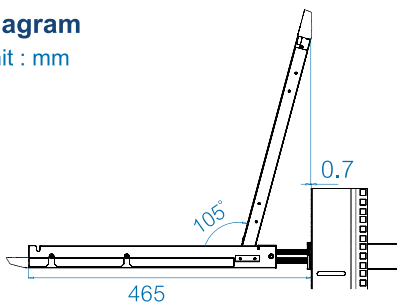
Audio



****With DVI-D or DC power option, the depth of N-1417 / N-1419 will be extended from 480mm (18.9") to 530mm (20.9")**

Diagram

Unit : mm



Monitor  Grade A 17" or 19" industrial TFT LCD panel page 105 for full monitor details

Dimensions

Model	Product Dimension (W x D x H)	Packing Dimension (W x D x H)	Net Weight	Gross Weight
N-1417 Series	442 x 480 x 44 mm 17.4 x 18.9 x 1.73 inch	581 x 705 x 175 mm 22.9 x 27.8 x 6.9 inch	15 kg / 33 lbs	19 kg / 42 lbs
N-1419 Series	442 x 480 x 44 mm 17.4 x 18.9 x 1.73 inch	581 x 705 x 175 mm 22.9 x 27.8 x 6.9 inch	16 kg / 35 lbs	20 kg / 44 lbs

back



Model Selection

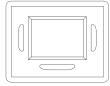
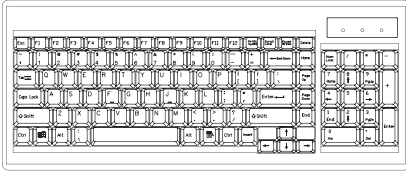
Base Model	17" LCD Series	19" LCD Series
<ul style="list-style-type: none"> • Single port w/o KVM • Combo interface 	N-1417	N-1419

Keyboard Selection

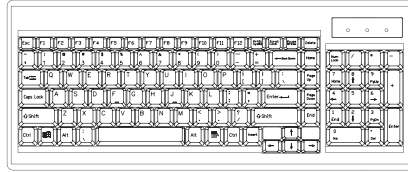
Supporting layouts



Ne N keyboard integrated with touchpad



Nb N keyboard integrated with trackball



page 106 for full keyboard details