

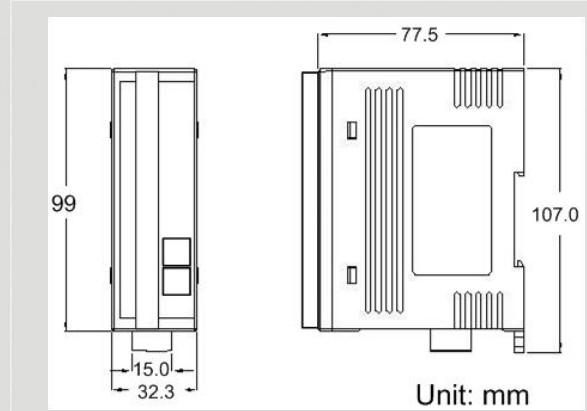


DeviceNet Series Products

16-channel Isolated DO Module of DeviceNet Slave



CAN-2057D



Dimensions

The CAN-2057D follows DeviceNet specification Volume I/II, Release 2.0. User can access the digital output status and set the configuration via DeviceNet EDS file. The CAN-2057D has 16 Digital output channels with Open Collector output type and can be used to develop powerful and cost effective digital control system. By the DeviceNet masters of ICP DAS, you can quickly build a DeviceNet network to approach your requirements.

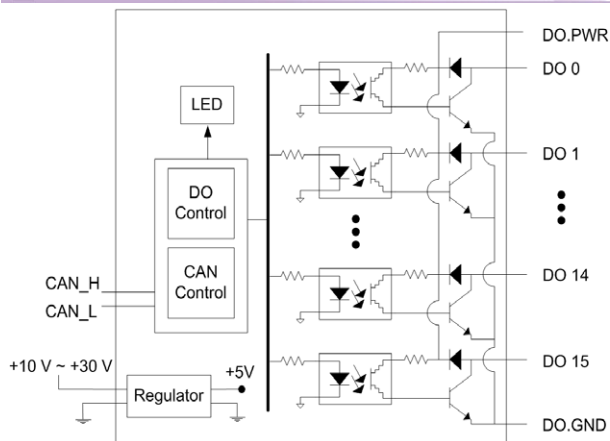
Features

- DeviceNet general I/O slave devices
- Group 2 Only Server (non UCMM-capable)
- Support Predefined Master/Slave Connection Set
- Connection supported:
 - 1 connection for Explicit Messaging
 - 1 connection for Polled I/O
 - 1 connection for Bit-Strobe I/O connection
- Support DeviceNet heartbeat and shutdown messages
- Provide EDS file for DeviceNet master interface
- Support Application: Drive Relay, Resistance Load
- ESD Protection 4 kV Contact for each channel

I/O Pin & Wire Connection

Terminal No.	Pin Assignment	Output Type	ON State LED ON Readback as 1	OFF State LED OFF Readback as 0
01	DO.0	Drive Relay		
02	DO.1			
03	DO.2			
04	DO.3			
05	DO.4			
06	DO.5			
07	DO.6	Resistance Load		
08	DO.7			
09	DO.8			
10	DO.9			
11	DO.10			
12	DO.11			
13	DO.12			
14	DO.13			
15	DO.14			
16	DO.15			
17	DO.GND			
18	DO.GND			
19	DO.PWR			
20	DO.PWR			

Internal I/O Structure



CAN Pin & Baud Rate Rotary

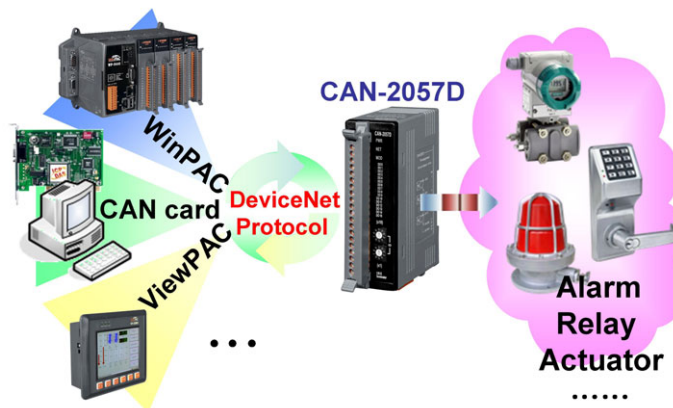
5-pin screw terminal block

Switch Value	Baud Rate
0	125 kbps
1	250 kbps
2	500 kbps

Hardware Specifications

CAN Interface	
DeviceNet Specification	Volume I, Release 2.0 & Volume II, Release 2.0, Errata 5
DeviceNet subscribe	Group 2 Only Server
Connection supported	1 connection for Explicit Messaging 1 connection for Polled I/O 1 connection for Bit-Strobe I/O
Node ID	0 ~ 63 selected by rotary switch
Baud Rate (bps)	125 kbps, 250 kbps, 500 kbps
Heartbeat/Shutdown message	Yes
Terminator Resistor	Switch for 120 Ω terminator resistor
DO Interface	
Channels	16 (Sink)
Output Type	Open Collector
Max Load Current	100 mA per channel
Load Voltage	+5 ~ +30 V _{DC}
Intra-module Isolation	3750 Vrms
ESD Protection	4 kV Contact for each channel
LED	
Round LED	PWR LED, NET LED, MOD LED
I/O LED	16 LEDs as Digital Output, and 1 LED as terminal resistor indicator
Power	
Input range	Unregulated +10 ~ +30 V _{DC}
Power Consumption	1.5 W
Mechanism	
Installation	DIN-Rail
Dimensions	32.3 mm x 99 mm x 77.5 mm (W x L x H)
Environment	
Operating Temp.	-25 ~ 75 °C
Storage Temp.	-30 ~ 80 °C
Humidity	10 ~ 90% RH, non-condensing

Applications



Ordering Information

CAN-2057D

DeviceNet module of 16-channel Isolated Open Collector Digital Output