



Model:I-8024

Model:I-8024(G)

I-8024/I-8024(G)

4-channel Isolated Analog Output Module

Specifications & Features

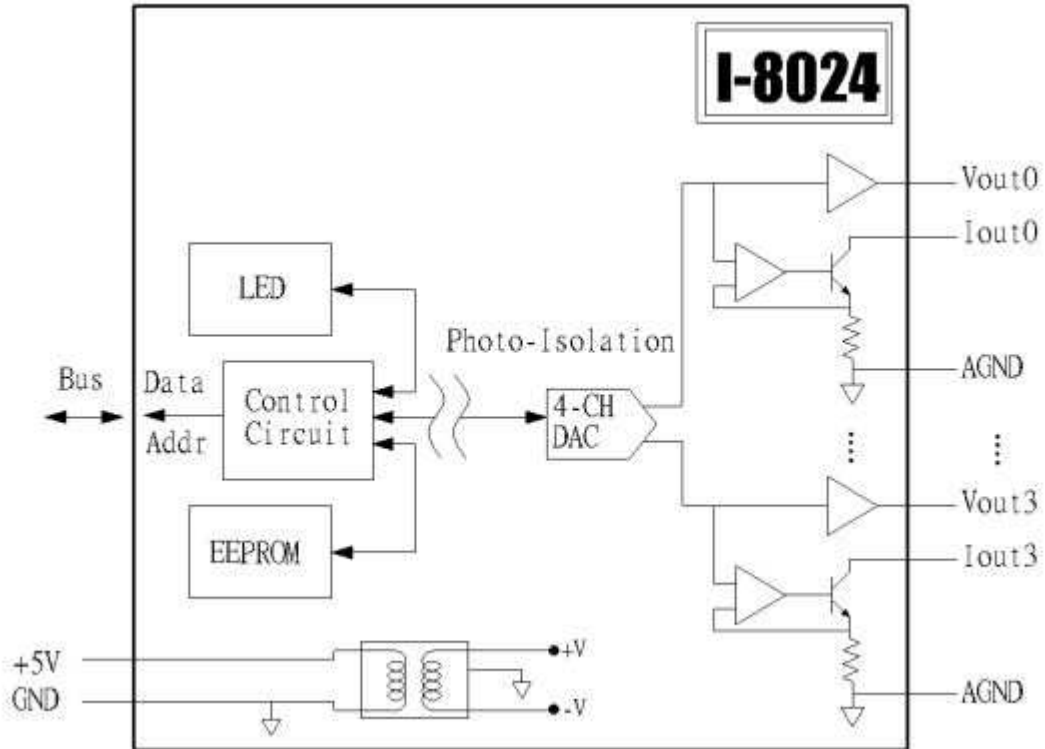
- Parallel I/O Module
- Resolution: 14-bit
- Output Range: 0 ~ 20 mA, +/- 10V
- Accuracy: +/- 0.1% of FSR for voltage output, +/- 0.2% of FSR for current output
- Analog Output Channels: 4
- Output Type: mA or V
- Isolation Voltage: 3000Vdc
- Power Consumption: 2.2W

Ordering information

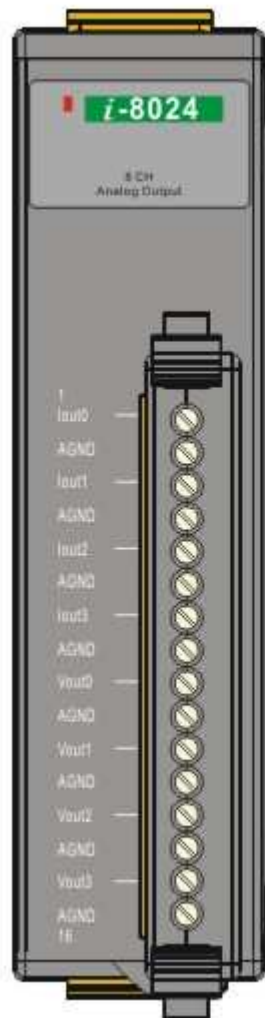
I-8024	4-channel Isolated Analog Output Module
--------	---

I-8024 Hardware

Internal I/O Structure



PIN Assignment



Terminal No.	Pin Assignment Name
01	lout0
02	AGND
03	lout1
04	AGND
05	lout2
06	AGND
07	lout3
08	AGND
09	Vout0
10	AGND
11	Vout1
12	AGND
13	Vout2
14	AGND
15	Vout3
16	AGND