



I-87068W

I-87068W-2A

4-channel Form A Relay Output and
4-channel Form C Relay Output Module

Introduction

The I-87068W provides 4 Form A power relay output channels and 4 Form C power relay output channels. The I-87068W-2A provides 4 Form A signal relay output channels and 4 Form C signal relay output channels. Both include 8 LED indicators for monitoring the relay output status and provide options for configuring power-on and safe digital output values. 4 kV ESD protection and 3750 Vdc intra-module isolation are also provided. The I-87068W is the ideal solution for high power applications and the I-87068W-2A is the ideal solution for small signal switching.

Features

- Form A & Form C Relay Output
- Dual Watchdog
- Configurable Power-on Settings
- Configurable Safe Value Settings
- 4 kV ESD Protection
- RoHS Compliant
- Wide Operating Temperature Range: -25 to +75°C



Applications

- Building Automation
- Factory Automation
- Machine Automation
- Remote Maintenance
- Remote Diagnosis
- Testing Equipment

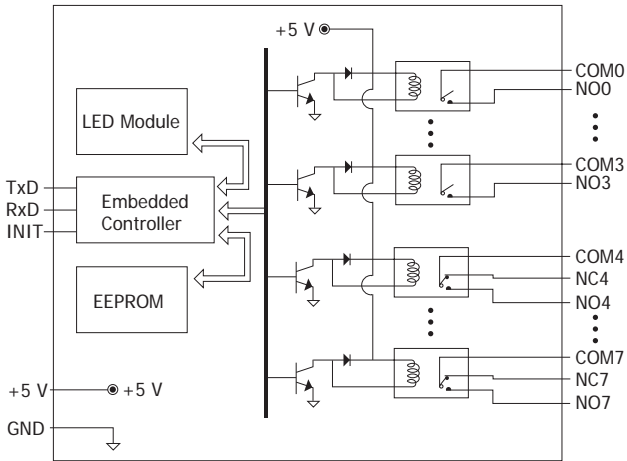
System Specifications

Model	I-87068W	I-87068W-2A
Communication		
Interface	RS-485	
Format	N, 8, 1	
Baud Rate	1200 to 115200 bps	
Protocol	DCON	
Dual Watchdog	Yes, Module (1.6 Seconds), Communication (Programmable)	
LED Indicators/Display		
System LED Indicators	Yes, 1 as Power/Communication Indicator	
I/O LED Indicators	8 as Power Relay Output Indicators	
Isolation		
Intra-module Isolation, Field-to-Logic	3750 Vdc	2000 Vdc
EMS Protection		
ESD (IEC 61000-4-2)	±4 kV Contact for each Terminal	
	±8 kV Air for Random Point	
Power		
Power Consumption	2.1 W Max.	1.2 W Max.
Mechanical		
Dimensions (L x W x H)	115 mm x 30 mm x 102 mm	
Environment		
Operating Temperature	-25 to +75°C	
Storage Temperature	-40 to +85°C	
Humidity	10 to 95% RH, Non-condensing	

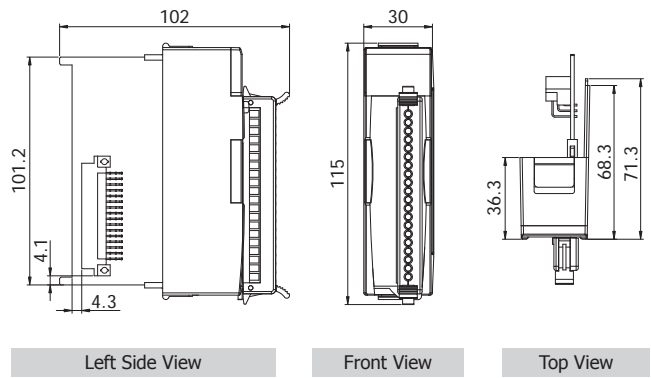
I/O Specifications

Model	I-87068W	I-87068W-2A		
Digital Output				
Channels	8 (Form A x 4, Form C x 4)			
Type	Power Relay	Signal Relay		
Contact Material	Silver, Silver Alloy	Silver Nickel, Gold-plated		
Form A	Contact Rating	Max. Load Current	8 A @ 28 Vdc , 8 A @ 250 VAC	2 A @ 30 Vdc 0.24 A @ 220 Vdc 0.25 A @ 250 VAC
		Min. Load Current	100 mA @ 5 Vdc	1 uA @ 100 uV
	Operate Time	15 ms (typical)	3 ms (typical)	
	Release Time	4 ms (typical)	4 ms (typical)	
	Mechanical Endurance	10 ⁷ ops	10 ⁸ ops	
	Electrical Endurance	10 ⁵ ops	2*10 ⁵ ops	
Form C	Contact Rating	Max. Load Current	5 A (NO)/3A (NC) @ 30 Vdc 5 A (NO)/3A (NC) @ 277 VAC	2 A @ 30 Vdc 0.24 A @ 220 Vdc 0.25 A @ 250 VAC
		Min. Load Current	100 mA @ 5 Vdc	1 uA @ 100 uV
	Operate Time	10 ms (typical)	3 ms (typical)	
	Release Time	5 ms (typical)	4 ms (typical)	
	Mechanical Endurance	10*10 ⁶ ops	10 ⁸ ops	
	Electrical Endurance	10 ⁵ ops	2*10 ⁵ ops	
Power-on Value	Yes			
Safe Value	Yes			

Internal I/O Structure



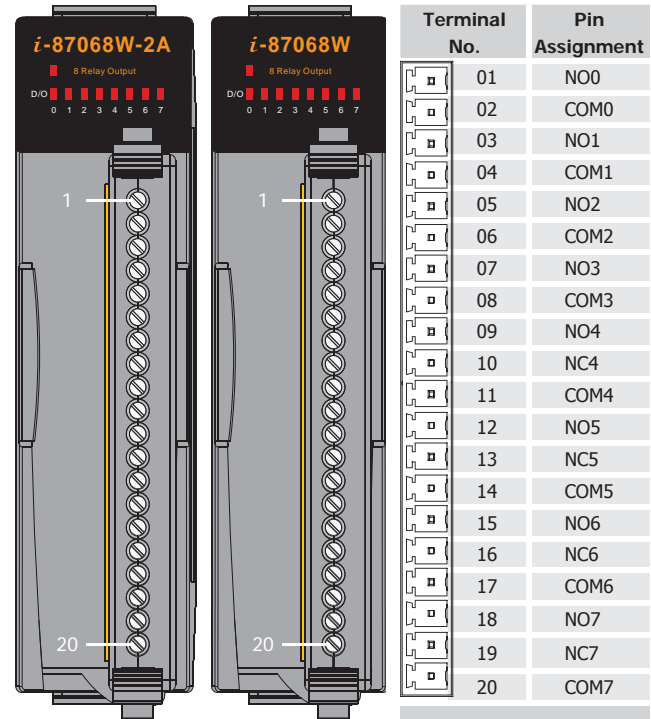
Dimensions (Units: mm)



Wire Connections

Output Type	ON State Readback as 1	OFF State Readback as 0
Form A Relay in RL0 ~ RL3		
Form C Relay in RL4 ~ RL7		

Pin Assignments



Ordering Information

I-87068W-G CR	4-channel Form A Power Relay Output and 4-channel Form C Power Relay Output Module (Gray Cover) (RoHS)
I-87068W-2A-G CR	4-channel Form A Signal Relay Output and 4-channel Form C Signal Relay Output Module (Gray Cover) (RoHS)

Accessories

SG-770 CR	7-channel Differential or 14-channel Single-ended Surge Protector (RoHS)
-----------	--