

NS-205PSE-IP67 Series NEW

Industrial 5-port unmanaged IP67 Ethernet switch with PoE



Highlight Information >>>

NS-205PSE-IP67 Series



Only for NS-205PSE-IP67/DIN

Features >>>

- Automatic MDI/MDI-X crossover for plug-and-play
- Store-and-forward architecture
- 4 PoE ports with Power Sourcing Equipment (PSE) operation
- Rugged RJ45 Connector for anti-vibration and shock
- IP67 grade protection approval
- Each port supports both 10/100 Mbps speed auto negotiation
- Full duplex IEEE 802.3x and half duplex backpressure flow control
- Auto-detection of PD (powered devices) and automatic power management
- Over-temperature, over-current and over/under-voltage detection

Introduction

The NS-205PSE-IP67 is designed for industrial applications in harsh environments. The rugged RJ-45 ensure tight, robust connections, and guarantee reliable operation, even for applications that are subject to high vibration and shock.

The NS-205PSE-IP67 PoE switch provide 5 fast Ethernet with 4 IEEE 802.3af compliant PoE ports. The switch is classified as power source equipment (PSE) and provide up to 15.4 W of power per port.

The Ethernet switch support IEEE 802.3/802.3u/802/3x with 10/100M, full/half-duplex, MDI/MDI-X auto-sensing, and provide an economical solution for your industrial Ethernet network.

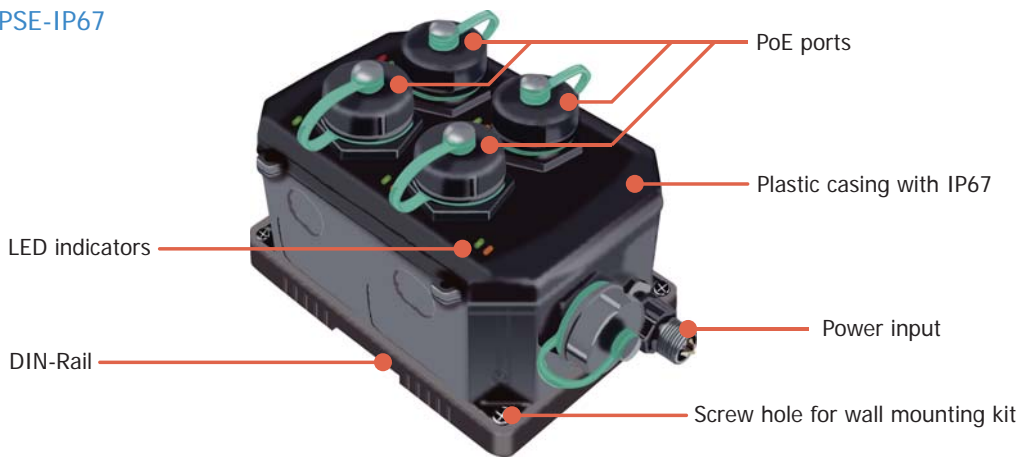
Specifications

Models	NS-205PSE-IP67	NS-205PSE-IP67/DIN
Technology		
Standards	IEEE 802.3, 802.3u, 802.3x, 802.3af (PoE), 10/100 Base-T(X) auto negotiation speed, F/H duplex mode, and auto MDI/MDI-X connection	
Processing Type	Store & forward; wire speed switching	
MAC Addresses	1024	
Memory Bandwidth	3.2 Gbps	
Frame Buffer Memory	512 Kbit	
Flow Control	IEEE 802.3x flow control, back pressure flow control	
Interface		
LED Indicators	10/100M, Link/Act, Power Device is detected	
Ethernet Isolation	1500 V _{rms} 1 minute	
Connection	Rugged RJ-45	
Power Input		
Input Voltage Range	+46 ~ +53 Vdc for PoE output	
Power Consumption	0.05 A @ 48 Vdc without PD loading; 1.45 A @ 48 Vdc with PD full loading	
Protection	Power reverse polarity protection	
Connection	IP67 PWR Plug	

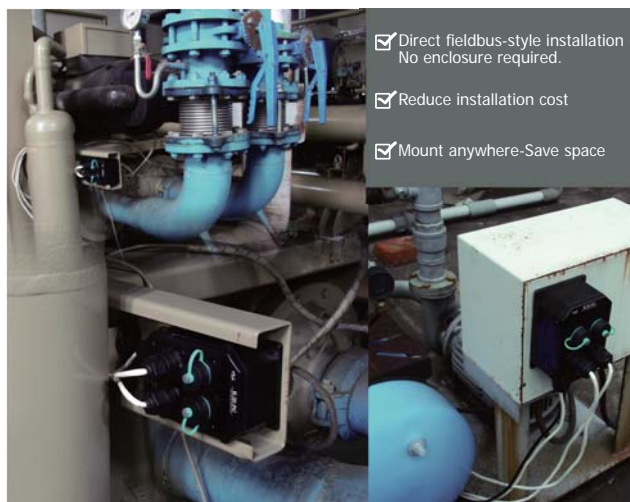
Models	NS-205PSE-IP67	NS-205PSE-IP67/DIN
PoE Technology		
PoE Compliance	100% IEEE 802.3af compliant	
PoE Classification	PSE (Power Sourcing Equipment)	
PoE Voltage	+46 ~ +48 Vdc depending on power input	
PoE Power	Up to 15.4 watts per channel	
PoE Operation	Automatic detection and power management	
PoE Pin Assignments	V+ (Pin 1, 2), V- (Pin 3, 6)	
PoE Disconnect Mode	DC disconnect	
Mechanical		
Casing	Plastic	
Flammability	UL 94V-0	
Environmental Rating	Protection rating IP67 for Operating Temperature -10 °C ~ +60 °C	
	Protection rating IP66 for for Operating Temperature -40 °C ~ +75 °C	
Dimensions (W x L x H)	85 mm x 76 mm x 137 mm	89 mm x 90 mm x 138 mm
Installation	Wall mounting	DIN-Rail or Wall Mounting
Environment		
Operating Temperature	-10 °C ~ +60 °C (Protection rating IP67)	
	-40 °C ~ +75 °C (Protection rating IP66)	
Storage Temperature	-10 °C ~ +60 °C (Protection rating IP67)	
	-40 °C ~ +75 °C (Protection rating IP66)	
Ambient Relative Humidity	100% RH for Operating Temperature -10 °C ~ +60 °C	
	10% ~ 90% RH, non-condensing for Operating Temperature -40 °C ~ +75 °C	

Appearance

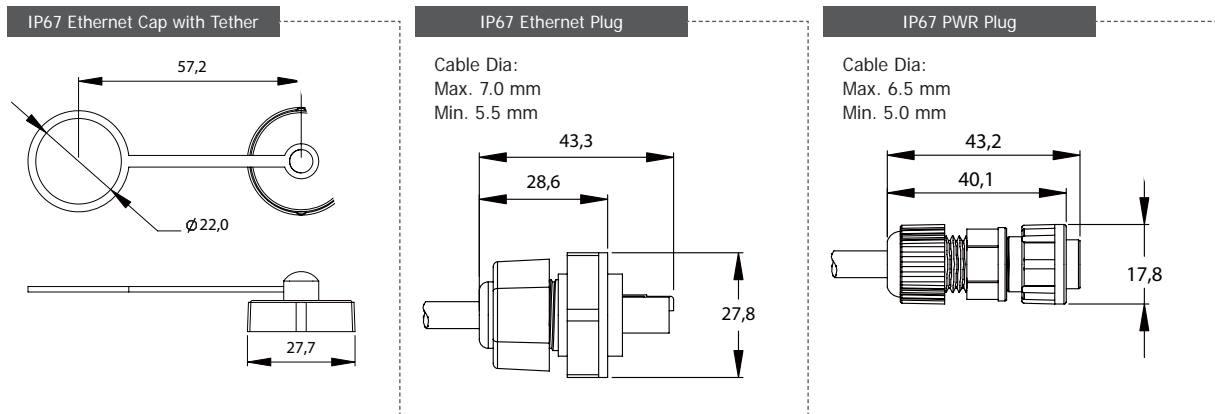
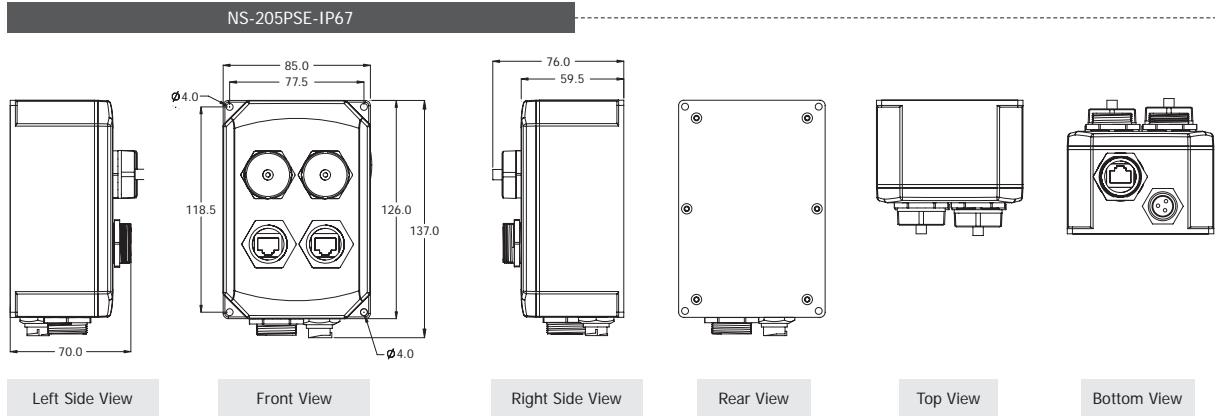
NS-205PSE-IP67



Applications



Dimensions (Units: mm)



Ordering Information

NS-205PSE-IP67 CR	Industrial 5-port unmanaged IP67 Ethernet switch with PoE Includes IP67 RJ45 Plug x 5, IP67 Power Plug x 1, Cap with Tether x 5 (RoHS)
NS-205PSE-IP67/DIN CR	NS-205PSE-IP67 with DIN-Rail Mount (RoHS)

Accessories

MDR-60-48	48 V/1.25 A, 60 W Power Supply with DIN-Rail Mounting
DIN-KA52F-48	48 V/0.52 A, 25 W Power Supply with DIN-Rail Mounting
DR-120-48	48 V/2.5 A, 120 W Power Supply with DIN-Rail Mounting

