

Features

- PXA270, 520 MHz CPU
- Windows CE 5.0
- InduSoft Web Studio v6.1
- Hard Real-Time Capability
- VGA Port Output
- Redundant Power Inputs
- Operating Temperature: -25 ~ +75°C

2
2
Compact PAC

Introduction

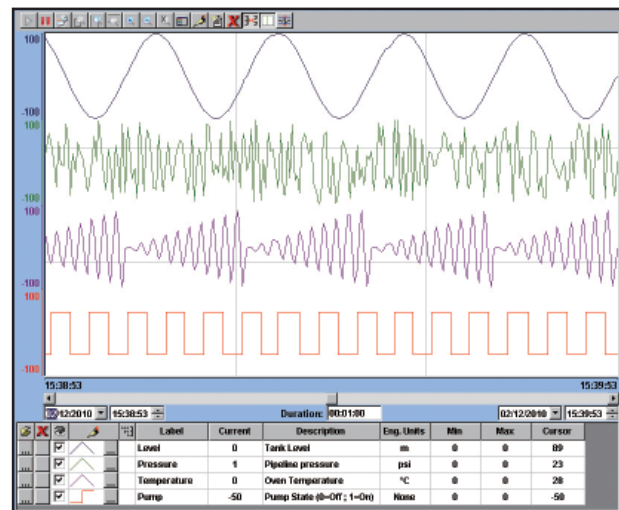
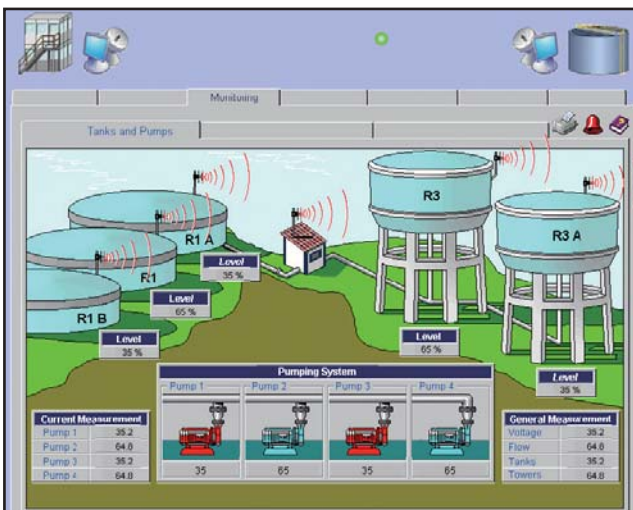
WP-8x39, WP-8x49 and WP-8x59 Series are the new generation InduSoft based PACs of ICP DAS. It is equipped with a PXA270 CPU (520 MHz), a variety of connectivity options (VGA, USB, Ethernet, RS-232/485) and 1/4/8 I/O slots for high performance parallel I/O modules (high profile I-8K Series) and serial I/O modules (high profile I-87K series). The benefits of running Windows CE 5.0 on WinPAC include hard real-time capability, small core size, fast boot speed, interrupt handling at a deeper level and achievable deterministic control. WinPAC is also capable of running InduSoft and PC-based control software such as Visual Basic .NET, Visual C#. It has all of the best features of both traditional PLCs and Windows capable PCs.

InduSoft Features



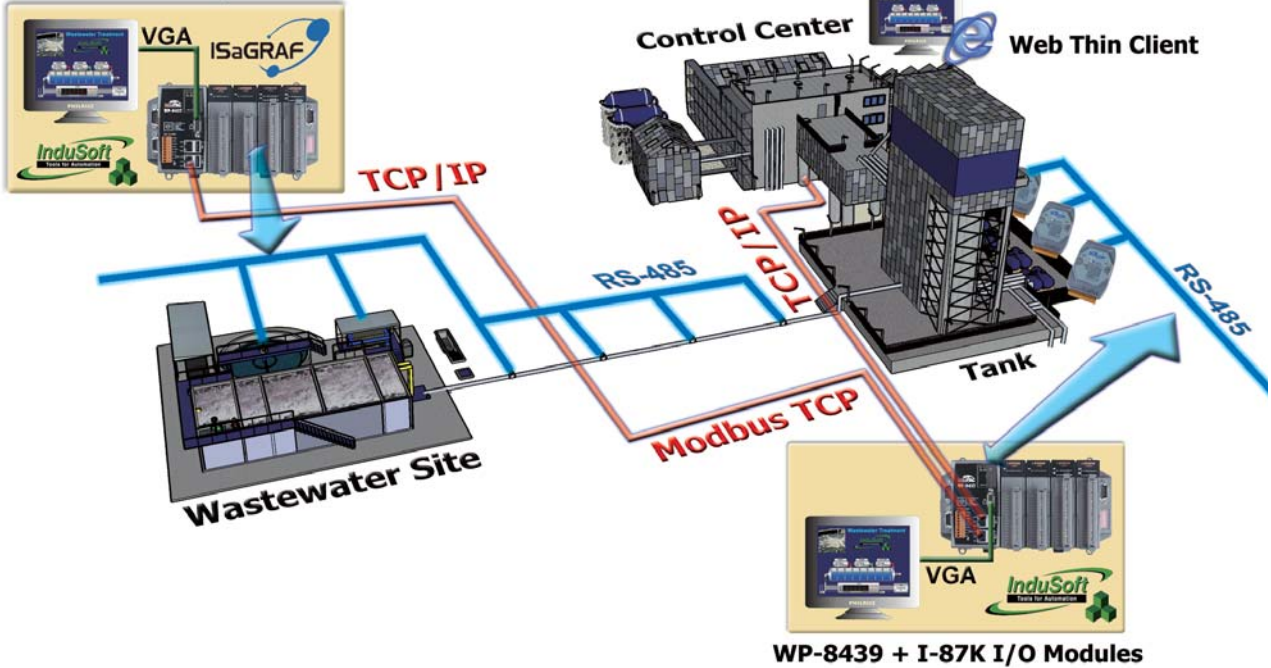
InduSoft Web Studio is a powerful, integrated collection of automation tools that includes all the building blocks needed to develop modern Human Machine Interfaces (HMI), Supervisory Control and Data Acquisition (SCADA) systems, and ViewPAC applications. InduSoft Web Studio's application runs in native Windows NT, 2000, XP, CE and CE .NET environments and conforms to industry standards such as Microsoft .NET, OPC, DDE, ODBC, XML, and ActiveX.

- Elegant Graphics
- Multi-Language
- Database (Access, Excel, SQL, Oracle...)
- Recipes and Reports
- Online and History Alarm / Event / Trend
- Remote Web Client Control & Security
- Various Communication Driver (DCON, Modbus, OPC, DDE, TCP/IP...)
- ActiveX (GSM / SHM / COM /WEB provided by ICP DAS)
- System Redundancy
- Online Configuration and debugging
- Others (VBScript, E-mail, FTP, SNMP...)

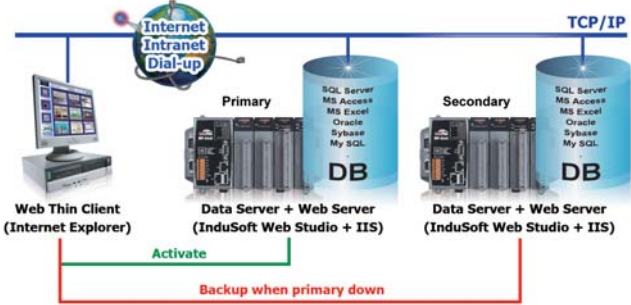


WP-8xx9 Total Solution

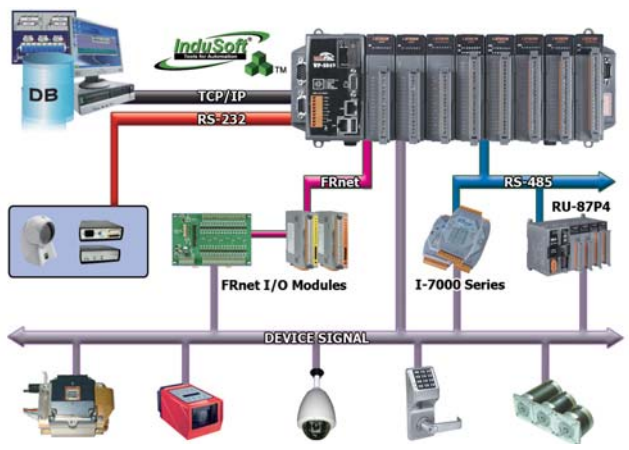
WP-8436 + I-87K I/O Modules



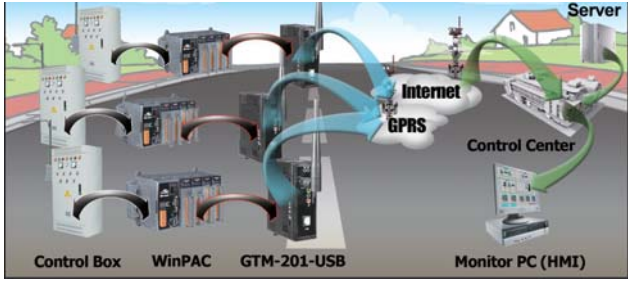
Database & Redundancy



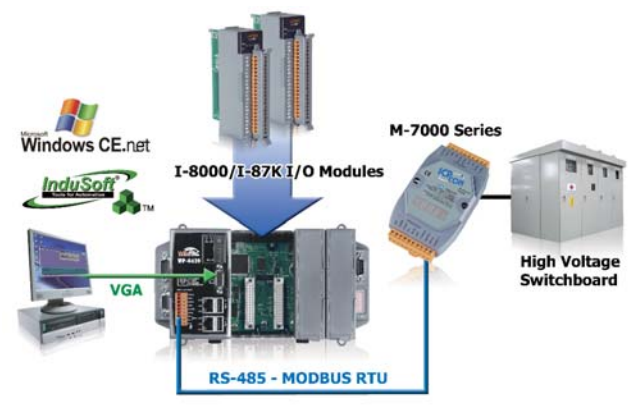
Variety of I/O supported



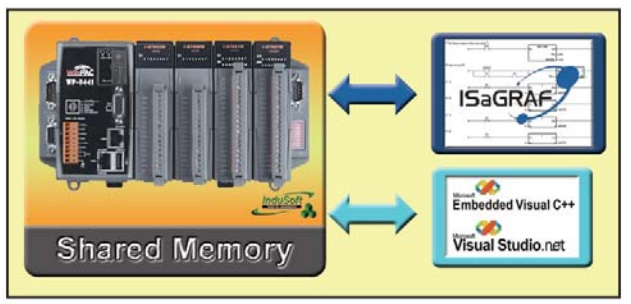
Street lamp monitor and control system



Variety of communication drivers



Share data with 3rd. party application



Specifications

Models	WP-8139	WP-8439	WP-8839	WP-8149	WP-8449	WP-8849	WP-8059	WP-8359	WP-8759	
System Software										
OS	Windows CE 5.0									
.Net Compact Framework	3.5									
Embedded Service	FTP server, Web server (supports VB script, JAVA script), Embedded SQL server									
Multilanguage Support	English, German, French, Spanish, Russian, Italian, Korean, Simplified Chinese, Traditional Chinese									
Development Software										
InduSoft Software	InduSoft Web Studio v6.1 Service Pack 6									
Non-ISaGRAF	Options: Microsoft EVC++4.0 or VS .NET 2005/2008 (VB .NET 2005/2008, C# .NET 2005/2008)									
Web Service										
Web HMI	Support Web HMI function, PC running Internet Explorer can access to the WP-8x39 via Local Ethernet or Internet or dial Modem, monitoring and control.									
Security	Web HMI supports three levels user name and password protection									
CPU Module										
CPU	PXA270, 520 MHz									
SDRAM	128 MB									
Dual Battery Backup SRAM	512 KB; data valid up to 5 years									
Flash	128 MB		96 MB			128 MB				
EEPROM	16 KB									
Memory Expansion	microSD socket with one 4 GB microSD card (support up to 32 GB microSDHC card)						CF slot with 2 GB CF Card (support up to 32 GB)			
RTC (Real Time Clock)	Provide second, minute, hour, date, day of week, month, year									
64-bit Hardware Serial Number	Yes, for Software Copy Protection									
Dual Watchdog Timers	Yes									
Programmable LED Indicator	1									
Rotary Switch	Yes (0 ~ 9)									
DIP Switch	-	Yes (8 bits)		-	Yes (8 bits)		-	Yes (8 bits)		
Audio	-						Microphone-In and Earphone-Out			
VGA & Communication Ports										
VGA	Yes 640 x 480, 800 x 600, 1024 x 768			Yes 640 x 800, 800 x 600						
Ethernet	RJ-45 x 2, 10/100 Base-TX (Auto-negotiating, Auto MDI/MDI-X, LED indicators)									
USB 1.1 (host)	2			1			2			
USB 1.1 (client)	-						1			
COM 0	Internal communication with the high profile I-87K series modules in slots									
COM 1	RS-232 (to update firmware) (Rx, Tx and GND); non-isolated									
COM 2	RS-485 (Data+, Data-) with internal self-tuner ASIC; 2500 Vdc isolated for WP-8131 and WP-8141; 3000 Vdc isolated for other models.									
COM 3	-	Yes		-	Yes					
	RS-232/RS-485 (Rx, Tx, CTS, RTS and GND for RS-232, Data+ and Data- for RS-485); non-isolated									
COM 4	-	Yes		-	Yes					
	RS-232 (Rx, Tx, CTS, RTS, DSR, DTR, CD, RI and GND); non-isolated									
COM 5	-						Yes		-	
	RS-232 (Rx, Tx, and GND); non-isolated									
I/O Expansion Slots										
Slot Number	1	4	8	1	4	8	0	3	7	
	Note: For High Profile I-8K and I-87K Modules Only									
Mechanical										
Dimensions (W x L x H)	95 mm x 132 mm x 111 mm: WP-8139, WP-8149 137 mm x 132 mm x 111 mm: WP-8059 231 mm x 132 mm x 111 mm: WP-8439, WP-8449, WP-8359 355 mm x 132 mm x 111 mm: WP-8839, WP-8849, WP-8759									
Installation	DIN-Rail or Wall Mounting									
Environmental										
Operating Temperature	-25 ~ +75°C									
Storage Temperature	-30 ~ +80°C									
Ambient Relative Humidity	10 ~ 90% RH (non-condensing)									
Power										
Input Range	+10 ~ +30 Vdc									
Isolation	1 kV									
Redundant Power Inputs	Yes, with one power relay (1 A @ 24 Vdc) for alarm									
Capacity	8 W	25 W	25 W	8 W	30 W	30 W	8 W	30 W	30 W	
Consumption	7.3 W	9.1 W	9.6 W	7.3 W	9.1 W	9.6 W	7.3 W	9.1 W	9.6 W	

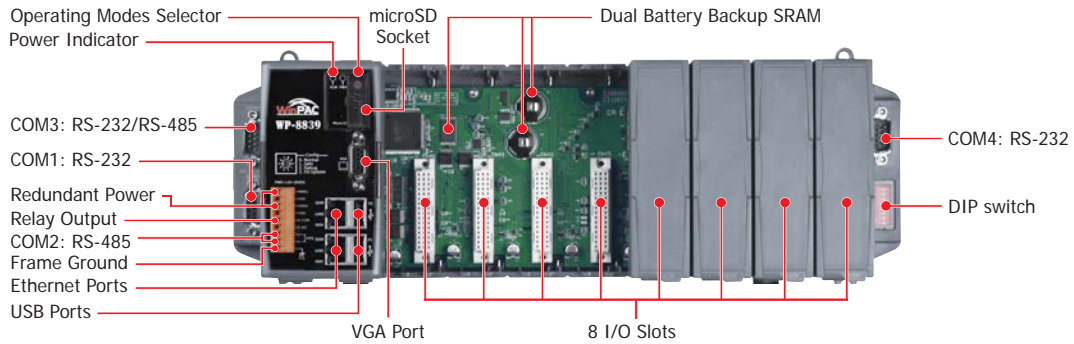
2

2

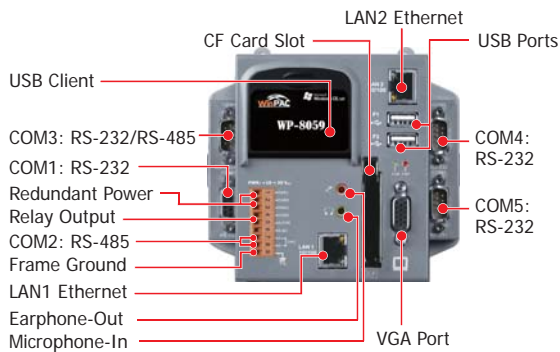
Compact PAC

Appearance

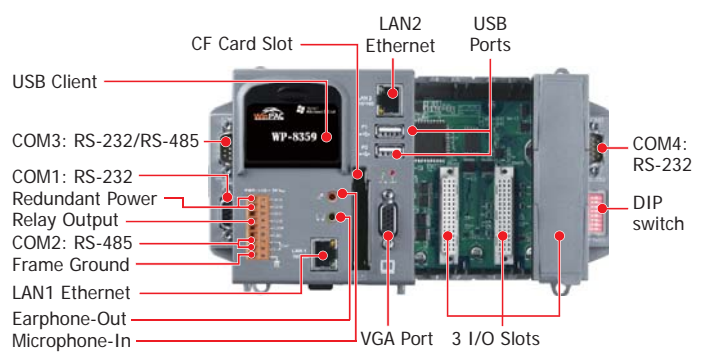
WP-8839



WP-8059



WP-8359



Ordering Information

WP-8139-EN	WP-8149-EN	InduSoft based WinPAC-8000 with 1 I/O Slot (Multilanguage Version of OS)
WP-8439-EN	WP-8449-EN	InduSoft based WinPAC-8000 with 4 I/O Slots (Multilanguage Version of OS)
WP-8839-EN	WP-8849-EN	InduSoft based WinPAC-8000 with 8 I/O Slots (Multilanguage Version of OS)
WP-8139-TC	WP-8149-TC	InduSoft based WinPAC-8000 with 1 I/O Slot (Traditional Chinese Version of OS)
WP-8439-TC	WP-8449-TC	InduSoft based WinPAC-8000 with 4 I/O Slots (Traditional Chinese Version of OS)
WP-8839-TC	WP-8847-TC	InduSoft based WinPAC-8000 with 8 I/O Slots (Traditional Chinese Version of OS)
WP-8139-SC	WP-8149-SC	InduSoft based WinPAC-8000 with 1 I/O Slot (Simplified Chinese Version of OS)
WP-8439-SC	WP-8449-SC	InduSoft based WinPAC-8000 with 4 I/O Slots (Simplified Chinese Version of OS)
WP-8839-SC	WP-8849-SC	InduSoft based WinPAC-8000 with 8 I/O Slots (Simplified Chinese Version of OS)

WP-8059	InduSoft based WinPAC-8000 without I/O Slot (Multilanguage Version of OS)
WP-8359	InduSoft based WinPAC-8000 with 3 I/O Slots (Multilanguage Version of OS)
WP-8759	InduSoft based inPAC-8000 with 7 I/O Slots (Multilanguage Version of OS)

Note: The default runtime license (CEView Lite Plus - 300 tags and 3 driver) is installed.

Accessories

InduSoft Development Software	
InduSoft-NT512000D	Advanced Server for Windows NT/2000/XP (512,000 Tags, unlimited drivers)
InduSoft-NT64000D	Control Room for Windows NT/2000/XP (64,000 Tags, 8 drivers)
InduSoft-NT4000D	Operator Workstation for Windows NT/2000/XP (4,000 Tags, 5 drivers)
InduSoft-NT1500D	Local Interface for Windows NT/2000/XP (1500 Tags, 3 drivers)
InduSoft-NT300D	NTView PRO for Windows NT/2000/XP (300 Tags, 3 drivers)
InduSoft Runtime License	
InduSoft-CE1500R	CEView standard for Windows CE Run-time (CE View)(1500 Tags, 3 drivers)
InduSoft-CE300R	CEView Lite Plus for Windows CE Run-time (300 Tags, 3 drivers)
Power Supply	
DP-660	24 Vdc/2.5 A, 60 W and 5 Vdc/0.5 A, 2.5 W Power Supply with DIN-Rail Mounting
DP-1200 CR	24 Vdc/5.0 A, 120 W Power Supply with DIN-Rail Mounting (RoHS)
MDR-60-24 CR	24 Vdc/2.5 A, 60 W Power Supply with DIN-Rail Mounting (RoHS)