

## tM-7561

### USB to Isolated RS-485 Converter



### Features ▶▶▶

- Fully Compliant with the USB 1.1/2.0 (High Speed)
- Power and data flow indicator for troubleshooting
- 2500 V<sub>DC</sub> Isolation Protection on the RS-485 side
- Driver Supports Windows 98/ME/2000/XP/Vista (32/64-bit)/7 (32/64-bit)/8 (32/64-bit)/Linux
- Tiny packaging fits on your DIN-Rail Mounting
- No External Power Supply required
- Automatic RS-485 Direction Control
- Operating Temperatures, -25 °C ~ +75 °C
- Low power consumption
- Cost-effective Converter

### Introduction

The tM-7561 is a cost-effective USB to RS-485 converter. Connecting the tM-7561 to a PC, you get one RS-485 port that allows you to access RS-485 devices through the USB interface. Like the I-7520, the tM-7561 contains "Self-Tuner" chip auto-tunes the baud rate and data format to the RS-485 network. The tM-7561 module derives its power from the USB port and doesn't need external power adapter.

### Comparison Table of Converter

Mode name	tM-7561	I-7561
Serial Interface	Only RS-485	RS-232/422/485
Dimensions (W x H x D)	52 mm x 87 mm x 27 mm	72 mm x 115 mm x 35 mm
Remarks	Cost-effective, Entry-level	Entry-level

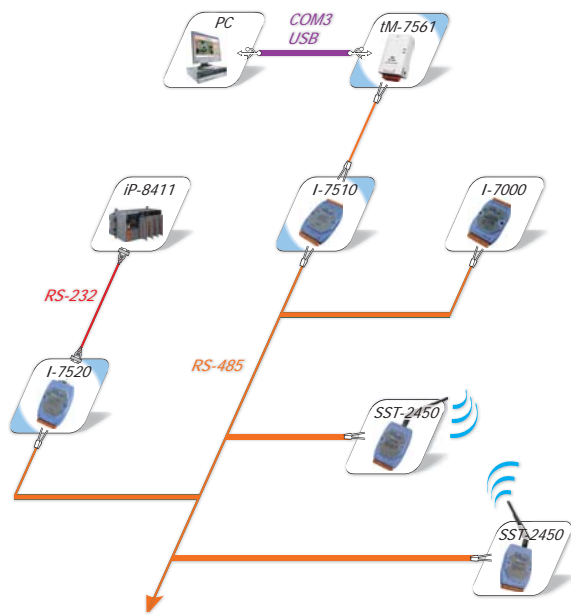
### Software

Driver	Windows 98/ME/2000/XP/Vista (32/64-bit)/7 (32/64-bit)/8 (32/64-bit)/Linux
--------	---

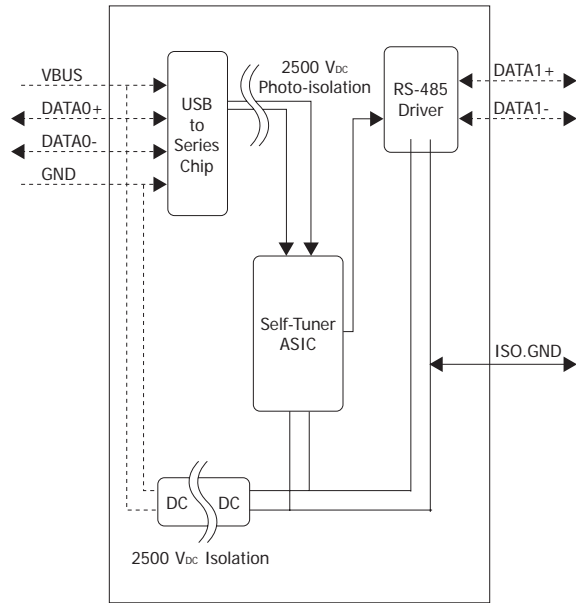
### System Specifications

<b>Interface</b>		
USB	Compatibility: USB 1.1 and 2.0 standards	
RS-485	Data+, Data-	
RS-485 Transmission Distance	Max. 1,200 m at 9.6 kbps; Max. 400 m at 115.2 kbps (Belden 9841 2P twisted-pair cable, if different cables are used, the transmission distance may change)	
Self-Tuner Asic Inside	Yes	
Speed	300 ~ 115200 bps	
Connector	RS-485	Removable 7-Pin Terminal Block
	USB	Type B
Cable Included	CA-USB18 (1.8 m Cable) x 1	
<b>LED Indicators</b>		
Power	Yes	
<b>Power</b>		
Input Voltage Range	+5 V <sub>DC</sub> from USB	
Power Consumption	0.4 W	
<b>Mechanical</b>		
Casing	Plastic	
Flammability	Fire-Retardant Materials (UL94-V0 Level)	
Dimensions (W x H x D)	52 mm x 87 mm x 27 mm	
Installation	DIN-Rail Mounting	
<b>Environment</b>		
Operating Temperature	-25 °C ~ +75 °C	
Storage Temperature	-30 °C ~ +75 °C	
Humidity	10 ~ 90% RH, non-condensing	

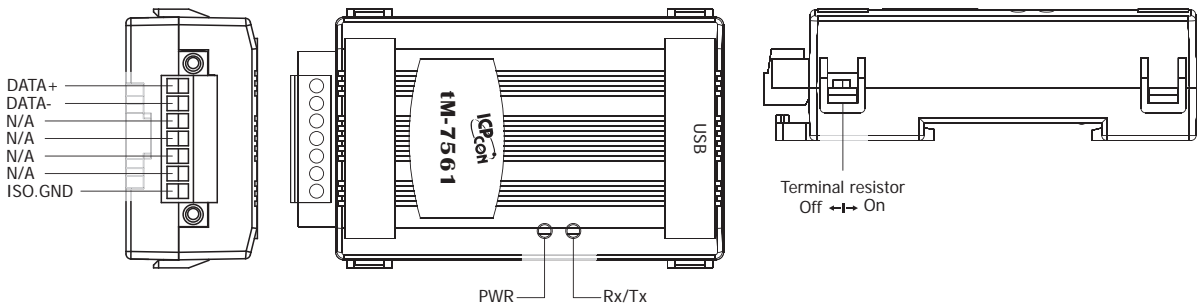
### Applications



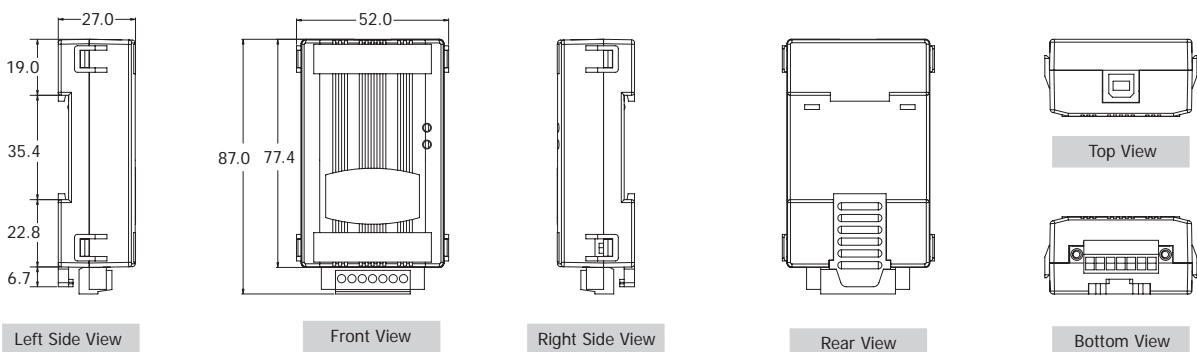
### Internal I/O Structure



### Pin Assignments



### Dimensions (Unit: mm)



### Ordering Information

tM-7561 CR	USB to Isolated RS-485 Converter (RoHS)
Include Cable	CA-USB18 (1.8 m Cable) x 1

### Accessories

USB-2560 CR	Industrial 4-port USB 2.0 Hub
CA-USB18	USB Type A to Type B Cable