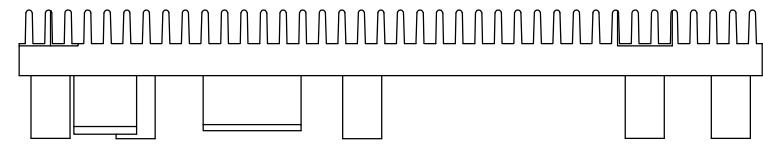
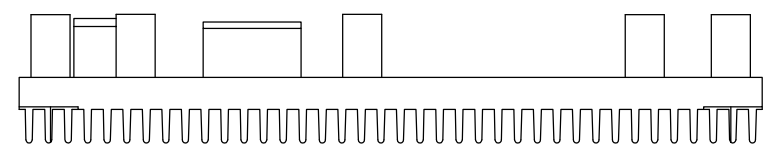
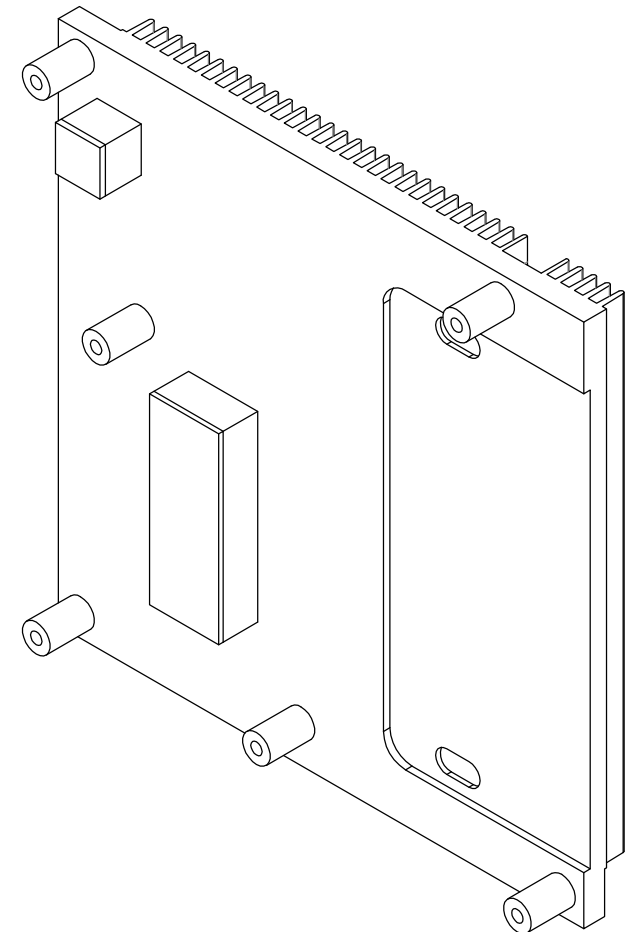
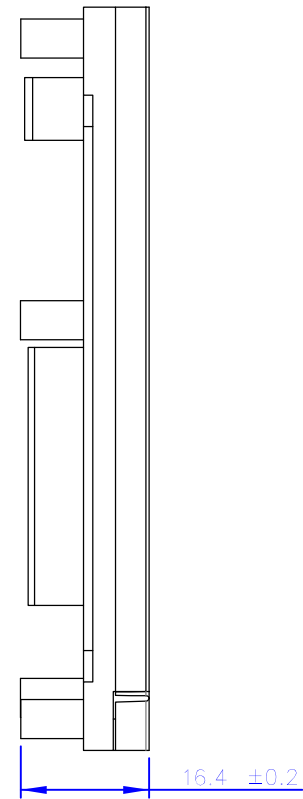
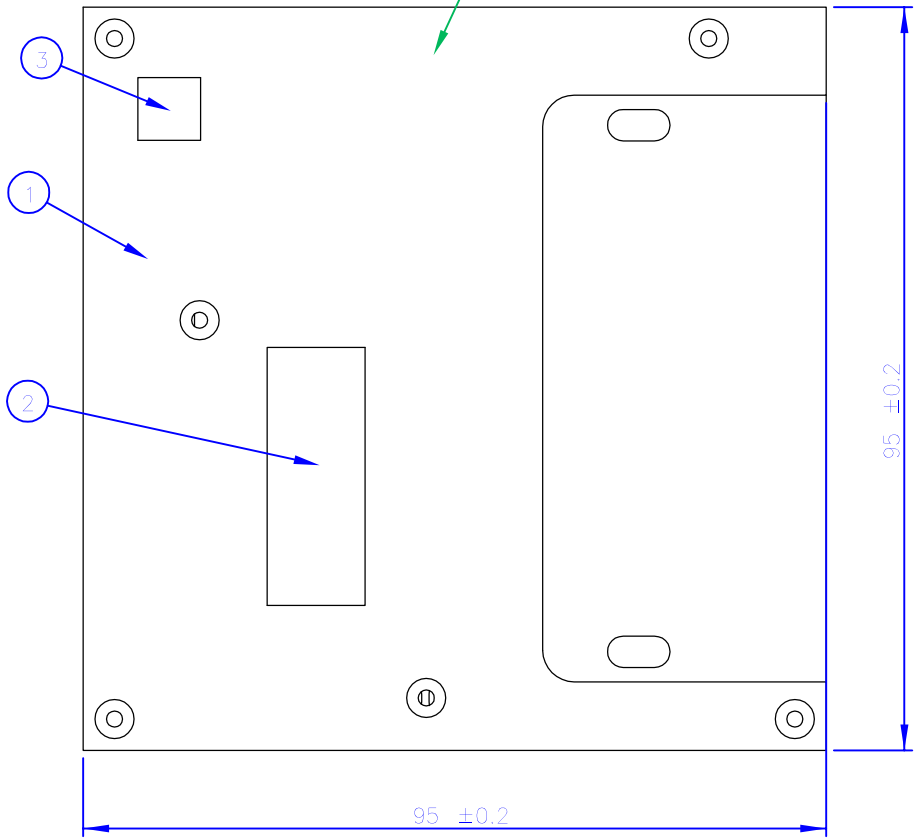
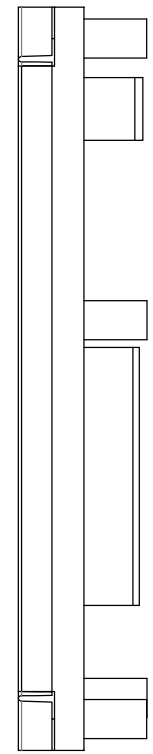


項次編號	PartNo	零件名稱	數量
1	32-20256-0000	THS-cBL-B	1
2	32-90042-4000	Sarcon_GR-Hm 33×12.5×0.8mm	1
3	32-90114-6000	RS300 8x8x1mm	1

VER.	DATE	DESCRIPTION	CHANGED BY	APPROVED BY
0	MM/DD'YY	NEW		



The appearance of surface the D class of QC check regulation



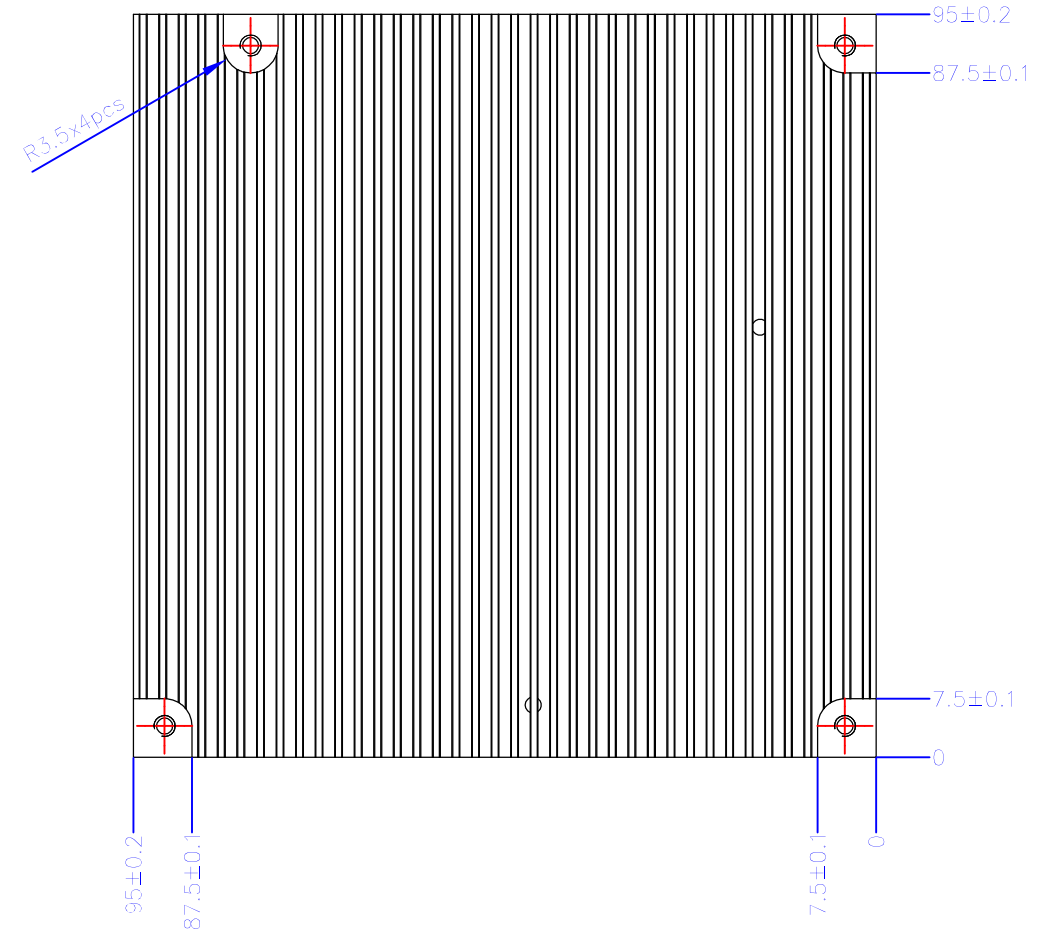
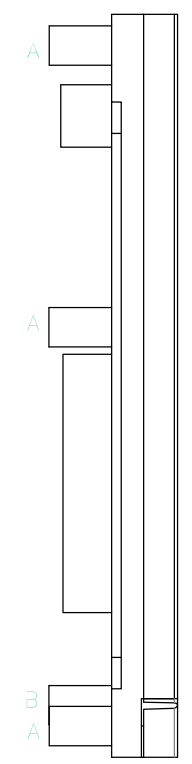
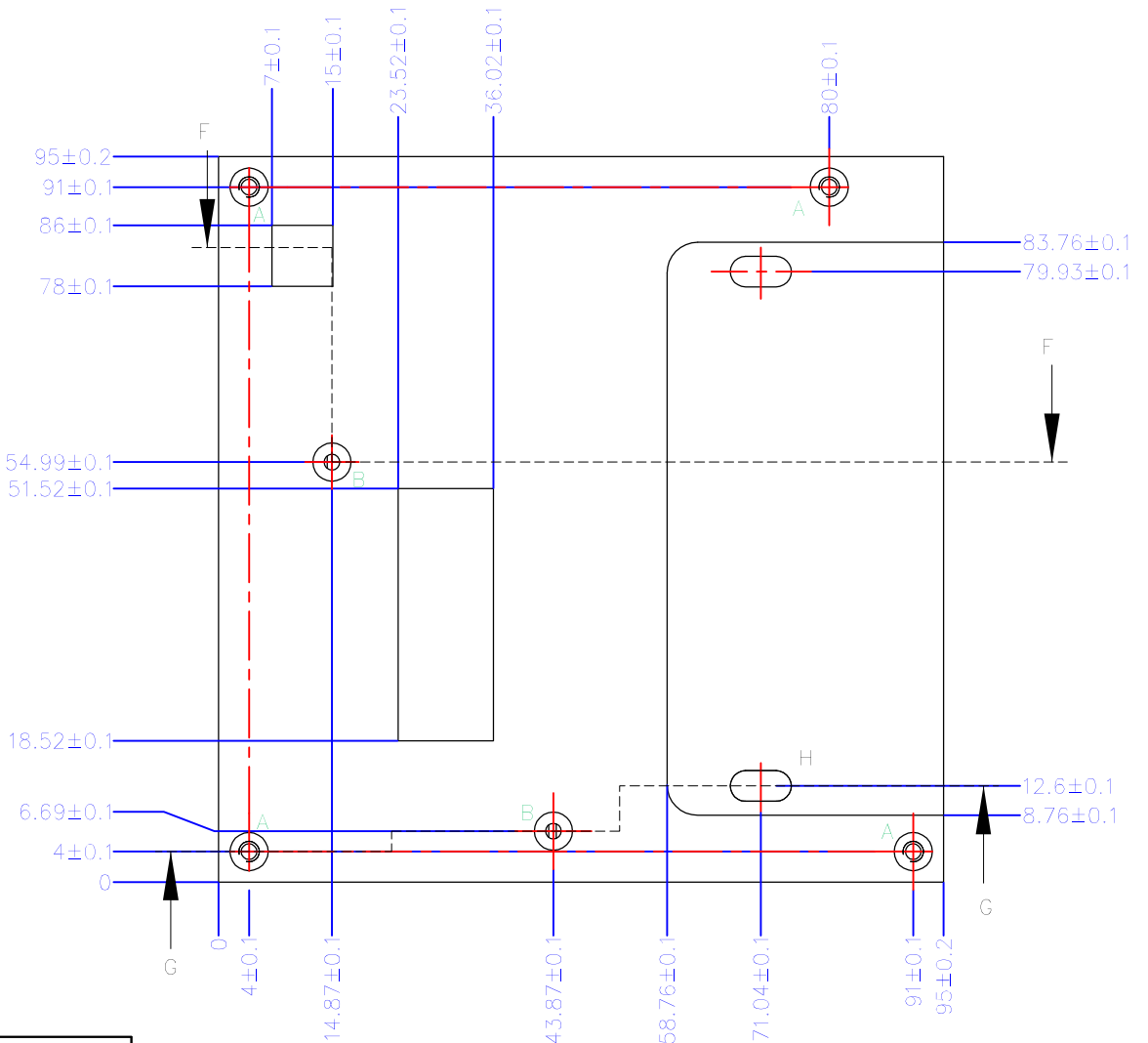
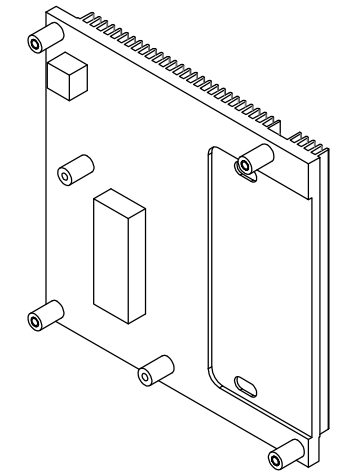
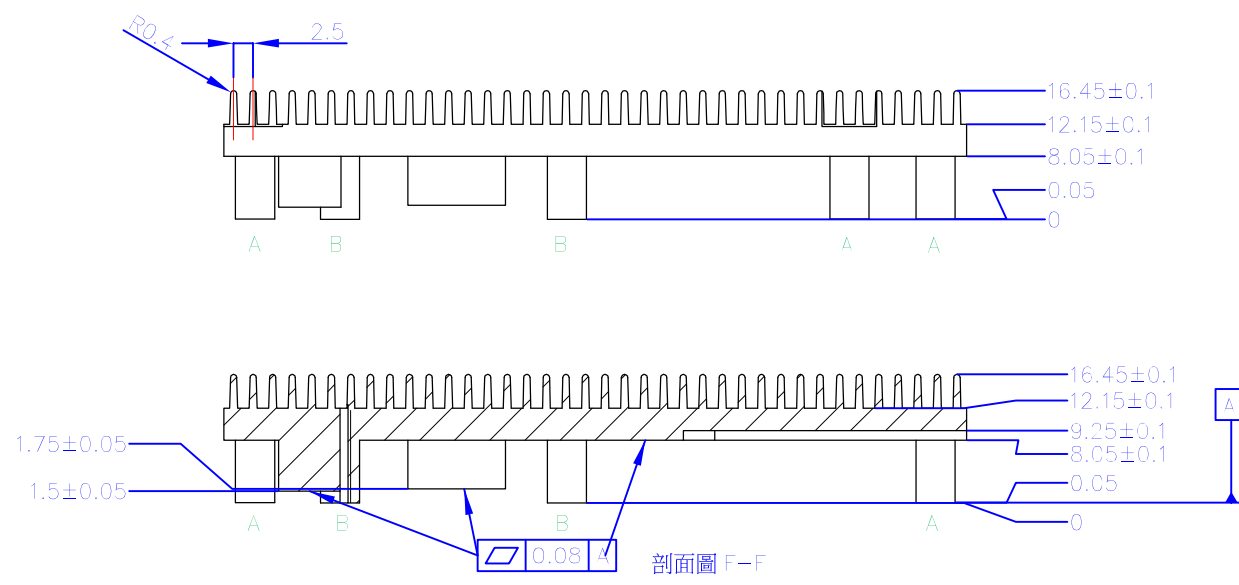
MAT'L	SEE NOTE	TOL RANGE	0-6	6-30	30-80	80-180	180-315	A3	UNIT:MM	Q'TY:1
FINISH	SEE NOTE		.05	.05	.15	.2	.3	SHEET	3 OF 3	
DRAWN	VIVI. LEE	2014/9/17	.05	.15	.2	.3	.5	SCALE	1:1	
DESIGN	VIVI. LEE	2014/9/17	.15	.25	.5	1.0		DRAWING NO.	A3b140236	
CHECK	Rex Cheng	2014/9/17	.15	.25	.5	1.0		FILE NO.	A3b140236	
APPRO.	Rex Cheng	2014/9/17	.15	.2	.3	1.0	1.5	PART NO.	32-20256-1000	

ADLINK TECHNOLOGY INC.

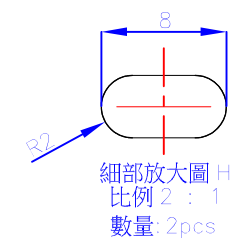
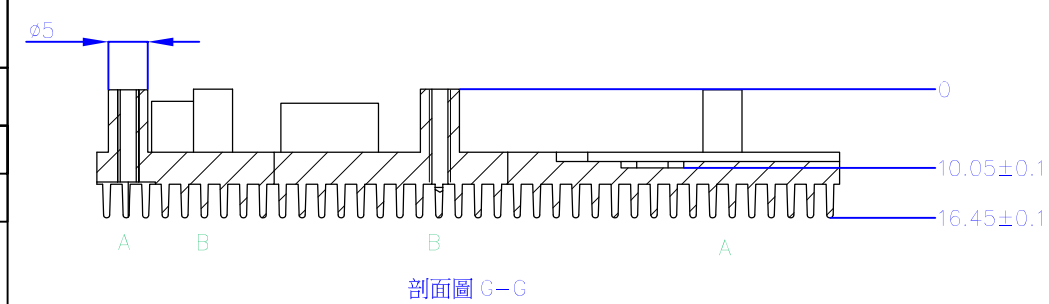
DRAWING NAME: THS-cBL-B

PRODUCT NAME: cExpress-BL

VER.	DATE	DESCRIPTION	CHANGED BY	APPROVED BY
G	MM/DD'YY	NEW		



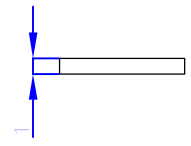
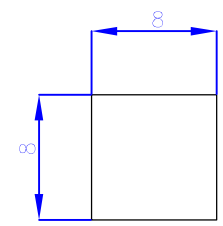
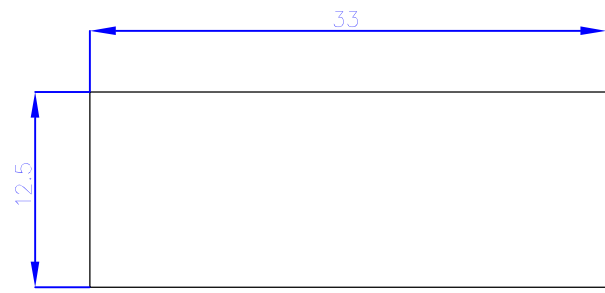
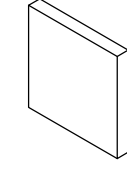
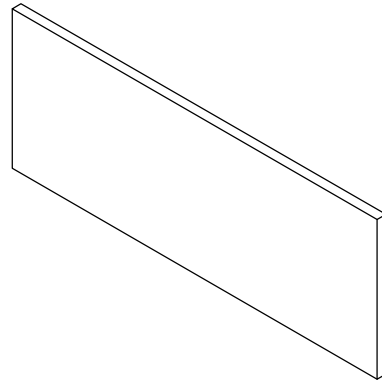
1. Material : AL-6063 T5	
2. Processing : CNC	
3. Surface finishing :	
(1)Anodic treatment	
標註文字尺寸規格 :	
A.	M2.5x0.45mm through-6pcs(H=8.00 ±0.05mm)
B.	M2.5x0.45mm through-6pcs(H=8.05 ±0.05mm)
特殊加工說明 :	
未標注之R角均為R4.0mm。	



MAT'L	SEE NOTE	TOL RANGE	√	A3	UNIT:MM	⊕
FINISH	SEE NOTE	0-6	.05 .05 0.1 .15 0.2	SHEET	3 OF 3	
DRAWN	VIVI. LEE	2014/9/17	6-30	.05 0.1 .15 0.2 0.3	SCALE	1:1 Q'TY:1
DESIGN	VIVI. LEE	2014/9/17	30-80	0.1 .15 0.2 0.3 0.5	DRAWING NO.	A3b140236
CHECK	Rex Cheng	2014/9/17	80-180	0.1 .15 .25 0.5 1.0	FILE NO.	A3b140236
APPRO.	Rex Cheng	2014/9/17	180-315	.15 0.2 0.3 1.0 1.5	PART NO.	32-20256-1000
DRAWING NAME					THS-cBL-B	
PRODUCT NAME					cExpress-BL	



VER.	DATE	DESCRIPTION	CHANGED BY	APPROVED BY
G	MM/DD'YY	NEW		



SCALE: 2:1
 Sarcon_XR-Hj_33x12.5x0.8mm
 數量: 1pcs

SCALE: 2:1
 RS300_8x8x1.0mm
 數量: 1pcs

MAT'L	SEE NOTE	TOL	√	A3	UNIT:MM	⊕	⊓
FINISH	SEE NOTE	0-6	.05 .05 0.1 .15 0.2	SHEET	3 OF 3		
DRAWN	VIVI. LEE	2014/9/17	6-30	.05 0.1 .15 0.2 0.3	SCALE	1:1	Q'TY:1
DESIGN	VIVI. LEE	2014/9/17	30-80	0.1 .15 0.2 0.3 0.5	DRAWING NO.	A3b140236	
CHECK	Rex Cheng	2014/9/17	80-180	0.1 .15 .25 0.5 1.0	FILE NO.	A3b140236	
APPRO.	Rex Cheng	2014/9/17	180-315	.15 0.2 0.3 1.0 1.5	PART NO.	32-20256-1000	



DRAWING NAME: THS-cBL-B
 PRODUCT NAME: cExpress-BL