

Features

- Six PCI Express® x1 (5 slots, 1 ExpressCard slot)
- PCIe-to-PCI bridge, two PCI slots
- SDVO ADD2 card slot
- LPC based Super I/O (enable/disable)
- SDIO/MMC support, multiplexed on GPIO
- Dual BIOS (both LPC and SPI)
- Compatible with PICMG® COM Express® Carrier Design Guide

Specifications

Form Factor

Core Module Interface	PICMG® COM Express® Revision 1.0
	Supports Type 10 pinouts
Dimensions	305 mm x 240 mm (AT/ATX)
Expansion Buses	Five PCI Express® x1 slots
	Two 32-bit PCI v2.3 slots
	One ExpressCard slot
	One SDVO ADD2 slot
	LPC bus header

BIOS / Debug

POST LEDs	Onboard diagnostics for BIOS POST code data and address on LPC bus
Secondary BIOS	Onboard sockets for secondary LPC & SPI flash

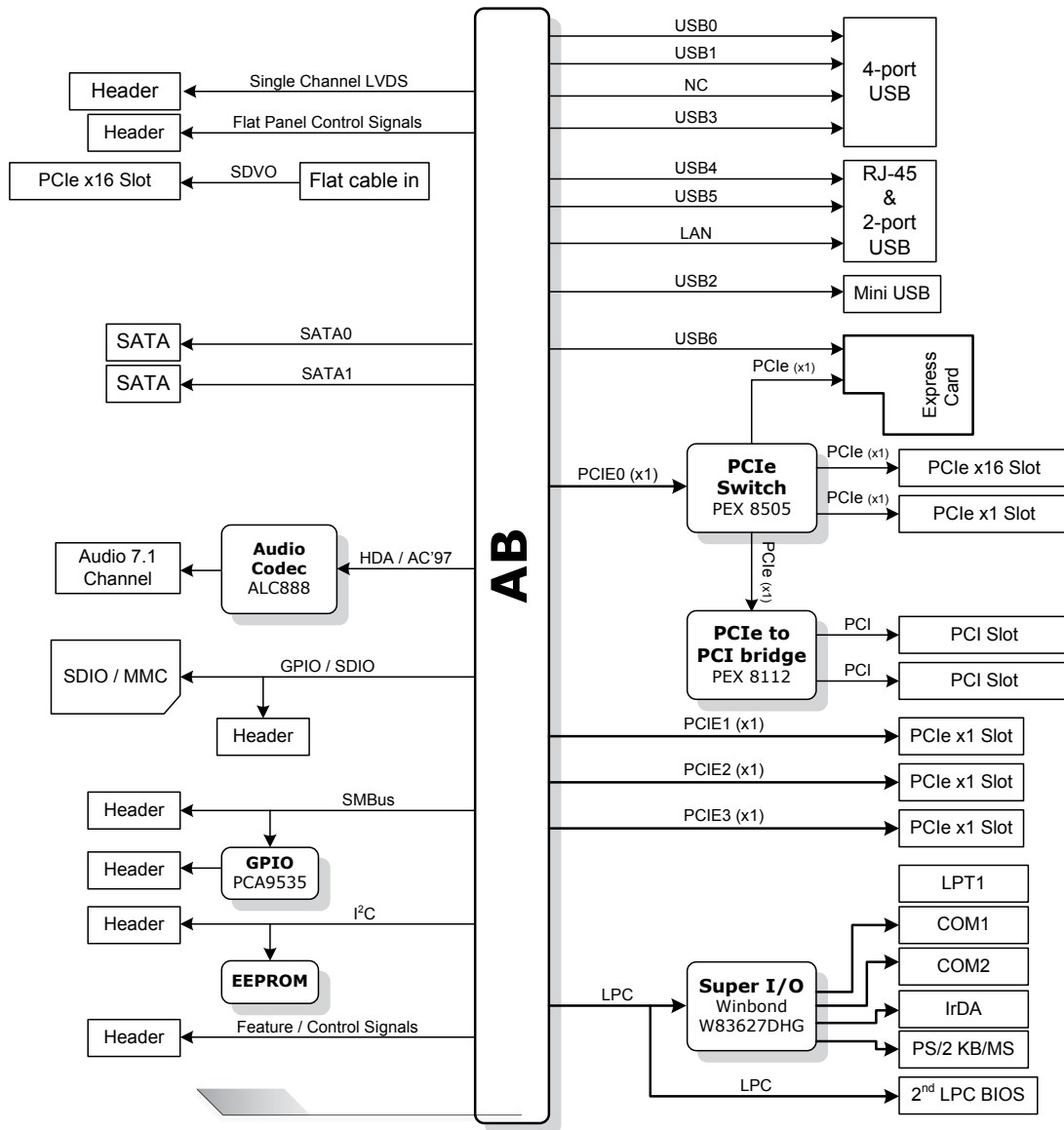
Active Components

PCI Express Switch	PLX PEX8505 switch with PCIe0 input from module
PCI Express to PCI Bridge	PLX PEX8112 bridge with PCIe x1 input from PEX8505 switch
Super I/O	Winbond WF83627DHG on LPC bus
Audio Codec	Realtek ALC886 High Definition Audio Codec
Digital I/O	I ² C to GPIO bridge PCA9535

Connectors

COM Express	Connector AB only, one 220-pin (Type 1)
LVDS	Onboard 34-pin header
Audio	Mic/Line-in/Line-out on I/O panel
SATA	Two SATA connectors
ExpressCard	One socket onboard (USB + PCIe x1)
LAN	10/100/1000BASE-T compatible RJ45 on I/O panel
USB 2.0	Five on I/O panel, one Mini-USB (client only) and one through PCIe Mini Card
Serial Port	Two DB-9 on I/O panel
Parallel Port	One header onboard
Smart Battery	One header for Smart Battery management communications (connects to ADLINK BattMan board)
KB/Mouse	Two 6-pin mini DIN (on rear I/O panel)
SDIO/MMC	SD socket for bootable storage or function extension
Feature Connectors	SMBus, I ² C, module control signals, flat panel control signals
Miscellaneous	Reset, Power LED, HDD LED, Buzzer
Power	Standard ATX connector
Switches	Onboard RESET button and ATX mini switch

Functional Diagram



Ordering Information

Modules

Model Number	Description
nanoX-BASE	COM Express® Type 10 Reference Carrier Board with onboard PCIe to PCI bridge

Note: All specifications are subject to change without further notice.