

### Features

- Carrier board for nanoX-BT and newer Type 10 modules
- 2x USB 3.0, 2x USB 2.0, and 1x USB client
- Supports DisplayPort and LVDS (eDP optional)
- 1x SD card slot
- 2x mini PCIe card slots (one supports mSATA)
- 2x LAN connectors
- Conforms to COM Express Carrier Design Guide rev. 2.0
- Supports Smart Battery and 19V adapter power supply

### Specifications

#### Form Factor

Core module interface PICMG® COM Express® Revision 2.1  
Supports Type 10 modules in Mini form factor

Dimensions 150 mm x 142 mm

#### BIOS/Debug

POST LEDs Onboard diagnostics for BIOS POST code data and address on LPC bus

Secondary BIOS Onboard socket for secondary SPI flash

#### Audio

Audio Codec Realtek ALC262 on DB-Audio2 daughter board (optional)

Interface Line-in, Line-out, Mic-in on DB-Audio2 daughter board (optional)

#### Active Components

Audio Realtek audio codec

Digital I/O SMBus to GPIO bridge

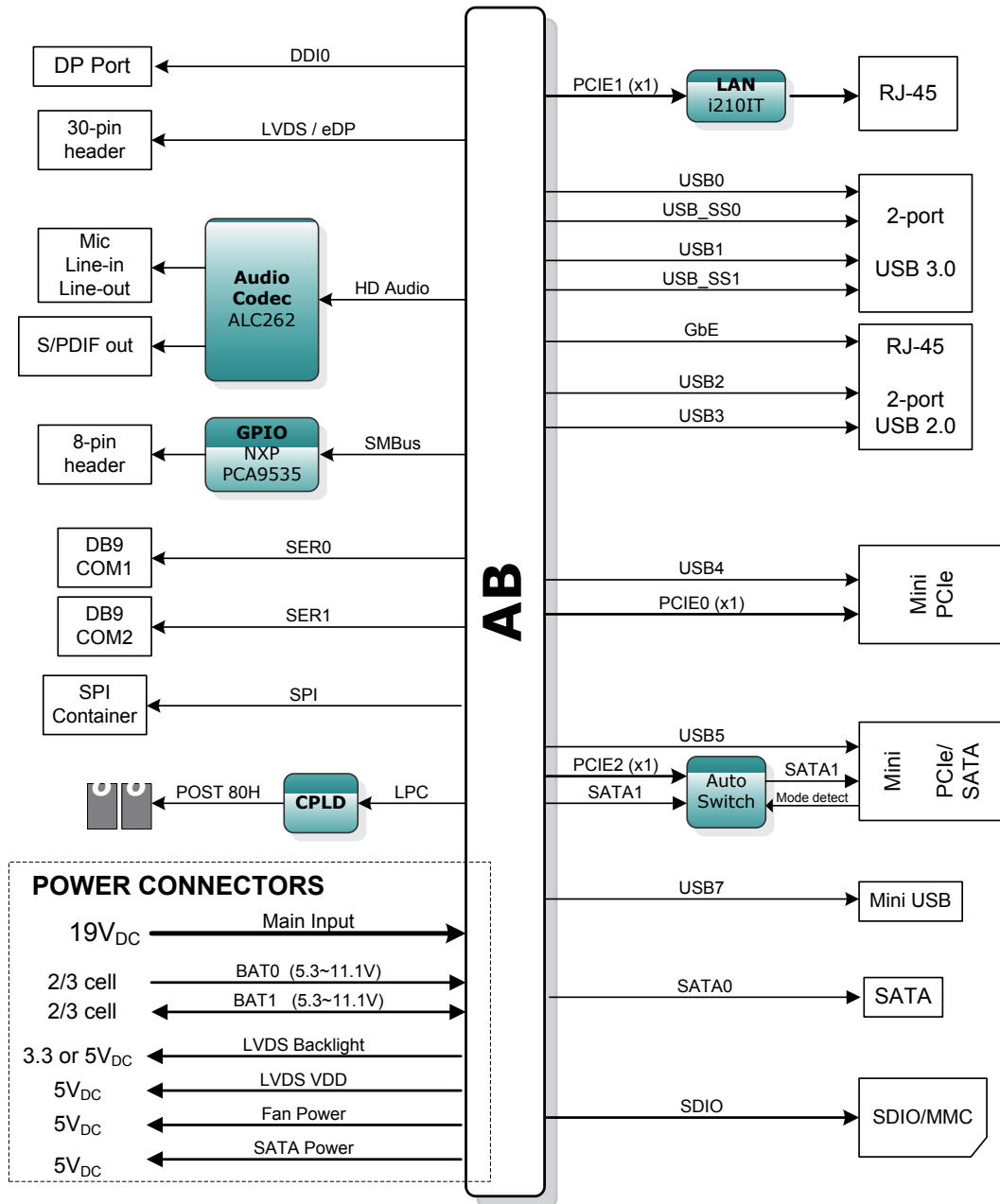
#### Connectors

Controller Dual Intel® GbE Controller I210-AT (NIC0 and NIC1)

### Mechanical and Environmental

COM Express	1x 220-pin (Type 10)
LVDS	1x onboard header
Display Port	1x onboard header
Audio	Mic/Line-in/Line-out on I/O panel
SATA	1x SATA connector
PCIe Mini Card	2x onboard sockets (one supports SATA)
LAN	2x LAN supports, 10/100/1000BASE-T compatible RJ-45 on I/O panel
USB	2x USB 3.0 on I/O panel 2x USB 2.0 on I/O panel 1x USB client
Serial Port	2x DB-9 on I/O panel
SD card	1x socket onboard
Smart Battery	1x 10-pin header for Smart Battery management communications (connects to ADLINK BattMan board)
GPIO	GPIO 8-pin header
Module control bus	SMBus, I <sup>2</sup> C
Miscellaneous	Reset button, Lid button, Sleep button, Power button, Power LED, HDD LED

## Functional Diagram



## Ordering Information

### Modules

Model Number	Description/Configuration
miniBASE-10R	COM Express® Type 10 Reference Carrier Board