

## 38 MM STAINLESS STEEL TRACKBALL UNIT

Vandalproof, IP65 sealed



This range of compact trackball units is highly ruggedized and designed for harsh industrial applications, kiosk consoles, navigation controls, etc... They feature a robust, vandalproof construction and all metal look : the carrier plate made of brushed stainless steel, a stainless steel ring protecting the trackball sealing and anti-vandal stainless steel IP65 sealed switches.

The 38mm trackball unit can either have :

- a black phenolic resin ball for highest resistance to hostile impacts and to scratches : Type TBS38F2
- a stainless steel ball for styling and complete stainless steel appearance : Type SBS38F2

### GENERAL TECHNICAL SPECIFICATIONS

Sealing	: IP65 static
Carrier plate	: brushed stainless steel
Ball diameter	: 38,1 mm
Ball material	: phenolic resin (TBS38F2) / stainless steel (SBS38F2)
Dimensions	: 100 x 78 x 40 mm
Weight	: 0,4 kg / 0,6 kg
Lifetime	: >= 2 million ball revolutions
Tracking force	: nom. 50 grams (TBS38F2)/nom. 65 grams (SBS38F2)
Output	: PS/2 & USB Combo
Cable	: 1 shielded, straight 1,6 m long
Operating temperature range:	-10°C to +60°C
Storage temperature range	: -25°C to +80°C

### Push button switches

Sealing	: IP65
Material	: stainless steel, brushed
Mechanical life	: 1 mil. cycles min
Contacts	: gold plated
Travel	: 1,3mm
Operating force	: 4N typ
Operating temperature	: -20°C to +60°C

### CE

Compliant to EMC Directive 89/336/EEC for Electromagnetic Compatibility.  
Low Voltage Directive 73/23/EEC not applicable for our trackballs.

### CONNECTIVITY

These combo PS/2 & USB trackball units have a 1,6 meter long shielded straight cable ended by a USB type A plug.

An adaptor to PS/2 is added. No special device driver is needed, use standard available drivers of your operating system.

\* Due to the increasing differences of the PS/2 mouse port specifications of the various PC manufacturers, we do recommend that this unit should be tested on the final PC configuration and operating system prior to installing it in series.

### ORDER INFO

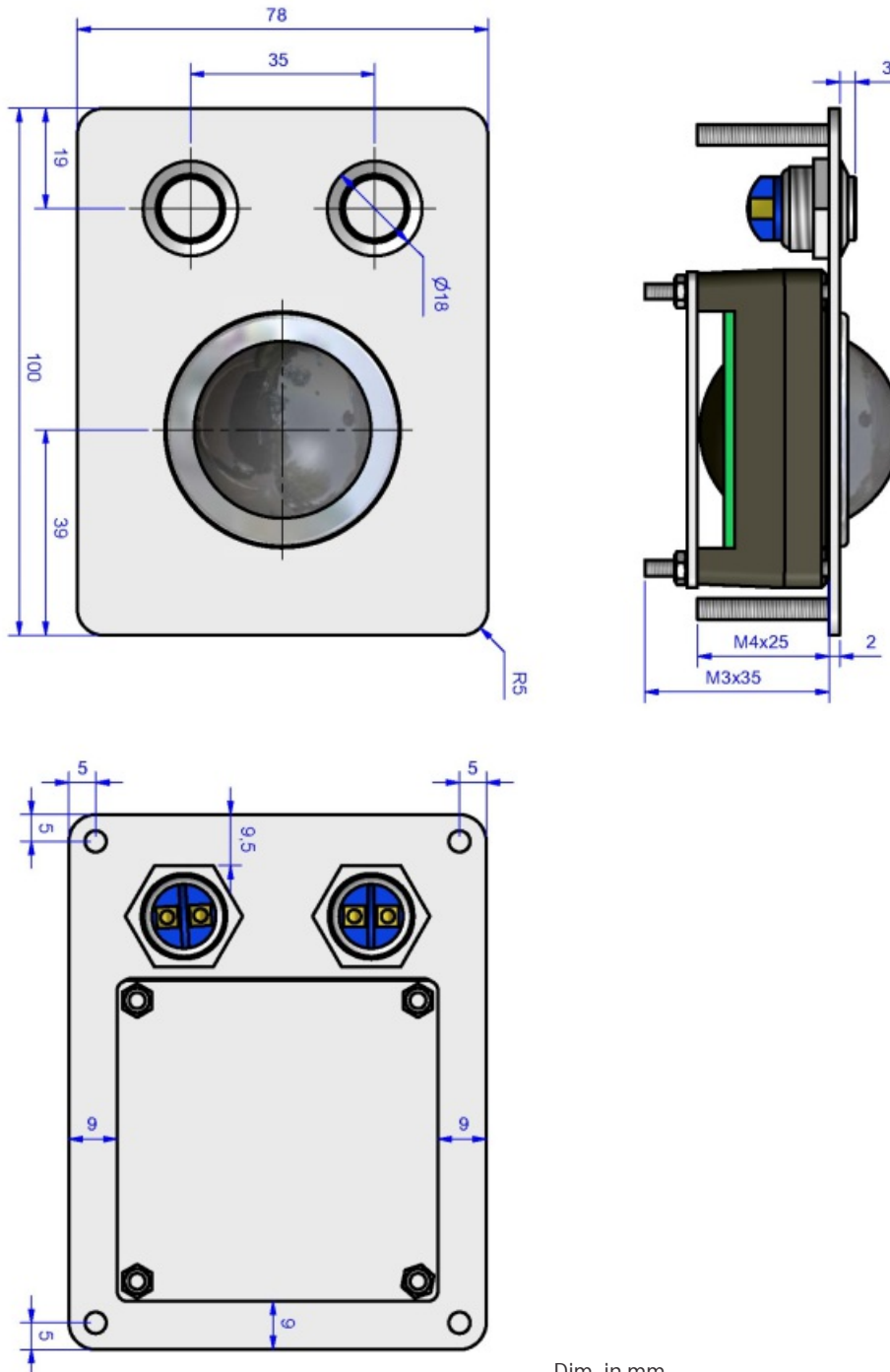
TBS38F2	Black phenolic resin ball
SBS38F2	Stainless steel ball

Output : PS/2 & USB Combo

### 38 MM STAINLESS STEEL TRACKBALL UNIT

Vandalproof, IP65 sealed

#### DIMENSIONAL DRAWING



Dim. in mm