

# AFL4-W15-EHL

## IEI Light Industrial Panel PC

Powered by Intel® Elkhart Lake Platform



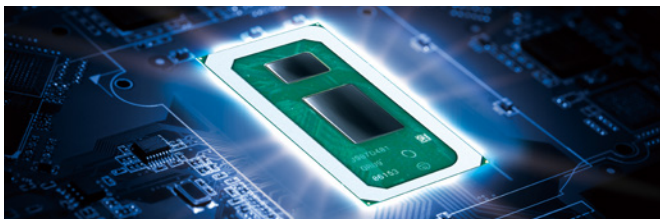
# AFL4-W15-EHL

Fanless panel PC with narrow bezel design, Intel® Celeron® J6412 processor, on-board 8GB memory, HDMI output, dual 2.5GbE LAN, two RS-232, two RS-422/485, two USB 3.2 Gen2, three USB 2.0, two M.2 M key expansion slots, and anti-glare & anti-UV 10-point touchscreen



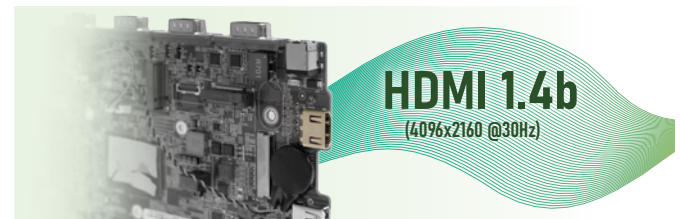
## Intel® Celeron® J6412 SoC

Intel® Elkhart Lake low power SoC, adopting 10nm process, 4-core 4-thread, 2.00GHz base frequency and up to 2.60GHz burst frequency.



## Support 4K UHD Display Output

10th generation Intel® Ultra HD graphics engine allows the system to display video and images in stunning 4K resolution over HDMI 1.4b.



## Anti-glare and Anti-UV PCAP

With anti-glare and anti-UV coating, the 10-point touchscreen can display clearly without reflection for a long time use in outdoors and bright light environment.



## Works with Gloves and Water

The equipped capacitive touch screen supports gloved operation and waterproof function that can effectively eliminate false touch operating caused by water spray.



## Extensive I/O Interfaces

The panel PC is small, but comes with abundant I/O for a variety of application scenarios. It includes two RS-232, two RS-422/485, two USB 3.2 Gen2, three USB 2.0 and one HDMI interface.

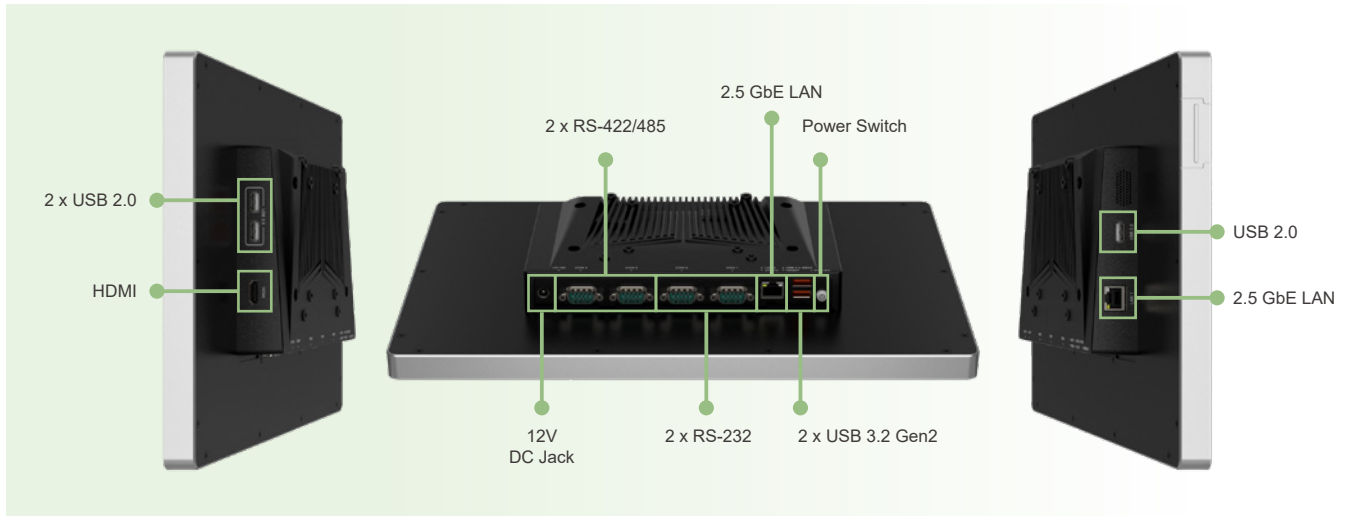


## Support WiFi 6E and Bluetooth 5.2

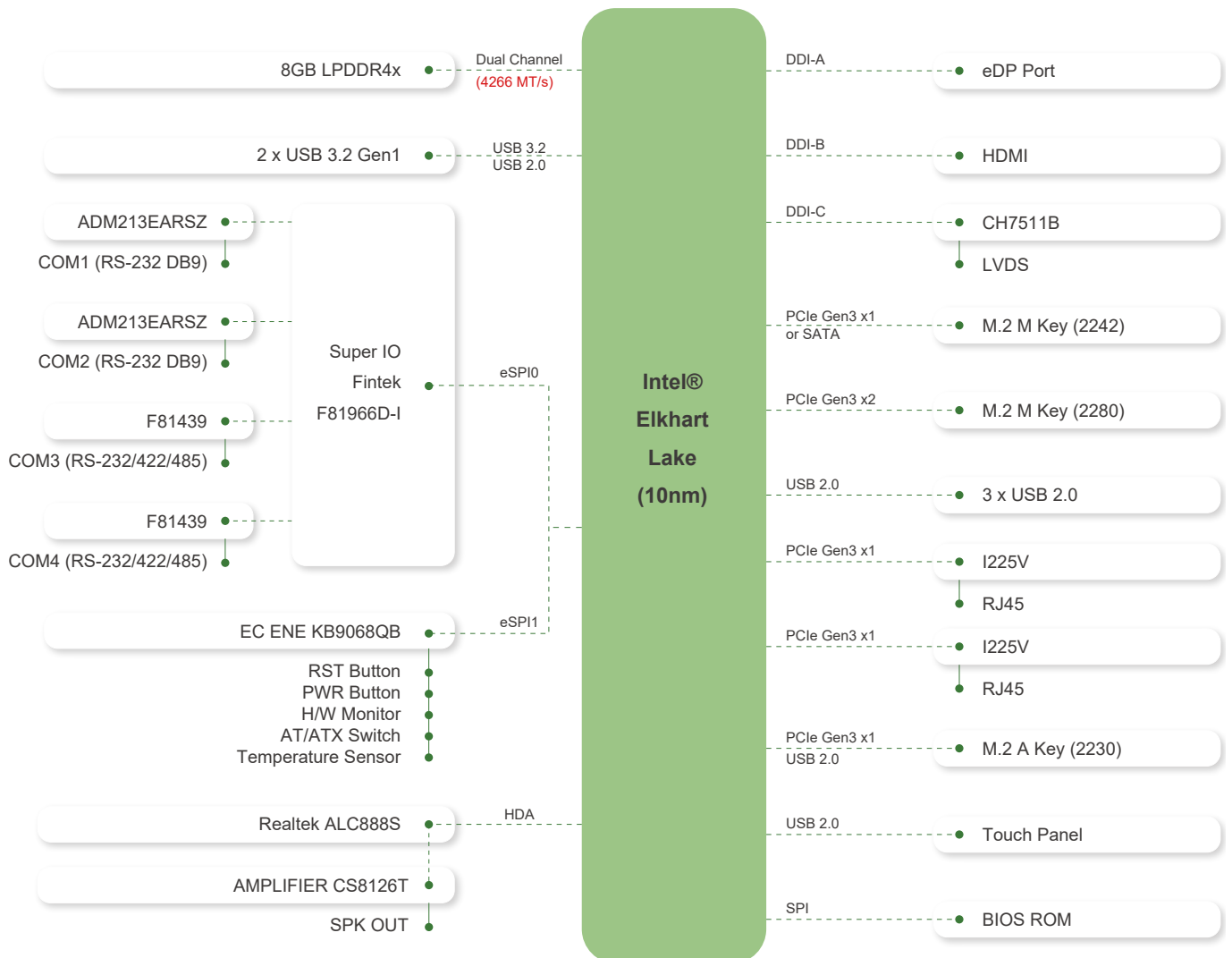
Strong Wi-Fi 6E wireless network capability provides more bandwidth, and the low latency Bluetooth 5.2 connection is more stable and consumes less power.



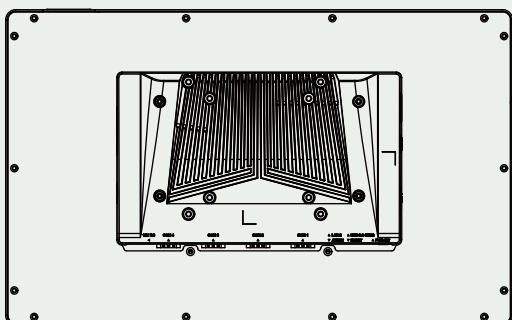
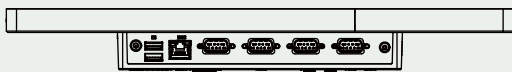
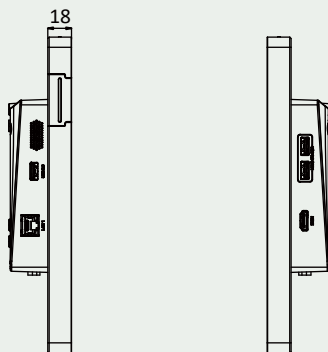
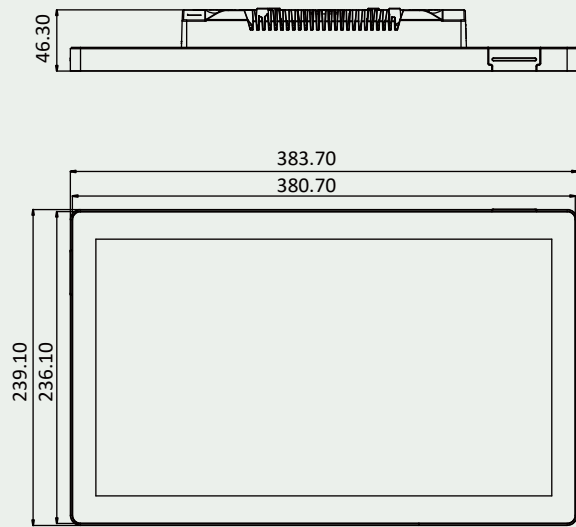
## Fully Integrated I/O



## Block Diagram



## Dimensions (Unit: mm)



## Specifications

Model		AFL4-W15-EHL
LCD	Size	15.5" (16:9)
	Resolution (WxH)	1920 x1080
	Brightness (cd/m <sup>2</sup> )	500 *1(BIOS : 1000)
	LCD Color	1000:01:00
	Pixel Pitch (mm)	16.2M
	Contrast Ratio	0.252 x 0.252
	Viewing Angle (H-V)	170°/160°
	Backlight MTBF	50000
Touch	Touch Screen	PCAP with USB interface (anti-UV/AG coating)
	Touch Controller	EETI EXC 81 Series
Mainboard	SOC	Intel® Celeron® Processor J6412 1.5M Cache, up to 2.60 GHz / TDP 10W
	RAM	Dual channel 8GB LPDDR4x on board
	Ethernet	LAN1: Intel® I225-V/I226-V LAN2: Intel® I225-V/I226-V
	Audio Codec	Realtek ALC888S
	Storage	-
	Expansion	1 x M.2 M key 2242 (PCIe Gen3 x1 + SATA) 1 x M.2 M key 2280 (PCIe Gen3 x2)
	I/O Ports & Switch	2 x RS-232 by DB9 2 x RS422/RS485 by DB9 2 x 2.5GbE RJ45 2 x USB 3.2 Gen2 3 x USB 2.0
Audio	AMP 1.2W (internal speaker)	
Wireless & Bluetooth	IEEE 802.11 a/b/g/n/ax, Bluetooth V5.2 1 x M.2 2230 A Key Slot (PCIe + USB signal)	
Physical	Body Material	Aluminum die casting+SECC
	Mounting	Wall, Stand, ARM, VESA 75/100
	Color	Silver+Black
Environment	Operating Temperature (°C) (Ambient with air flow)	-10 ~ 50@50%RH
	Storage Temperature (°C)	-20 ~ 60@50%RH
	Humidity	10% to 90%@40°C (non-condensing)
	Operating Shock	Half-sine wave shock 5G; 11ms; 100 shocks per axis
	Operating Vibration	MIL-STD-810G 514.5C-1 (with SSD)
	IP Level	Front panel IP64
	Safety&EMC	CE/EMC, UKCA, FCC, RED (Class A)
	Thermal Solution	Fanless
Power	12V	
ErP	ErP 2009/125/EC	
OS	Windows 10 IoT/Linux	

## Packing List

Item	Q'ty
Power cord	1
Power adapter	1
QIG	1

## Ordering Information

Part No.	Description
AFL4-W15-EHL-J1/8G-R10	13.3" 350cd/m <sup>2</sup> 1920x1080 Fanless Panel PC with Intel® Celeron® Processor J6412 (10W) on-board Processor, 8GB LPDDR4 on-board, 802.11a/b/g/n/ac/ax WiFi&Bluetooth® 5.2 module, PCAP touch, R10

## Options

Item	Part No.	Description
Arm	ARM-11-RS	VESA 75/100 Desk ARM
Stand	STAND-C12-R10	VESA 75/100 Easy Stand
V-Stand	VSTAND-A10-R11	Stand V Type for AFL series, VESA 75/100
Wall	AFLWK-19B	Monitor Wall mounting kit
OS	WIN10-IOTE2019-V-RS	Win10 IoT Ent LTSC 2019 MultiLang OEI Value