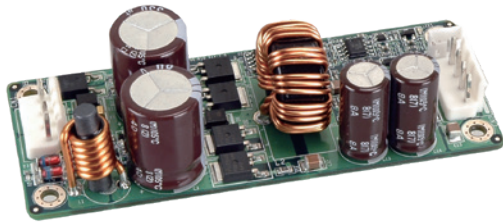


# IDD-241100

100 W DC/DC Converter Module

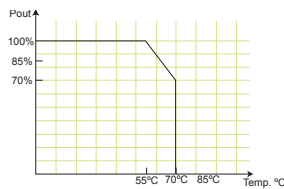


## Features

1. 100W total power
2. AT mode on/off
3. Up to 90% efficiency
4. RoHS compliant
5. Compact size

## Specifications

- Output (max.): 12 V@8.33 A
- Max. total output: 100 W
- Input: 24 VDC
- Performance characteristics  
Noise & ripple: <240 mV  
Load regulation: <240 mV  
Efficiency: Up to 90%
- Dimensions (mm): 40 x 100
- Weight (NW): 60 g
- Operating temperature: -20°C ~ 70°C



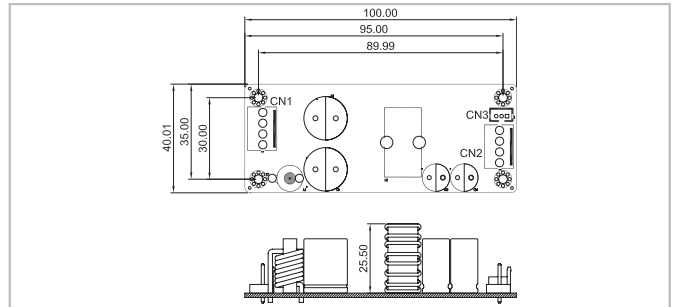
## Wire Harness Selection Guide

### DC Input (CN1)



PN: **CB-NOLP4-RS**  
Cable for terminal block

## Dimensions (Unit: mm)



## Packing Information

1 x IDD-241100      1 x QIG

## Ordering Information

Part No.	Description
IDD-241100-R10	100 W DC/DC 24 V input, 12 V output with 100W total power
CB-NOLP4-RS	20 cm cable for terminal block DC input

## Pin Assignments

### Input Power Connector

CN1	Pin 1	Pin 2	Pin 3	Pin 4
	VIN	VIN	GND	GND

### Output Power Connector

CN2	Pin 1	Pin 2	Pin 3	Pin 4
	+12 V	+12V	GND	GND

### Power on/off, LED Connector

CN3	Pin 1	Pin 2	Pin 3
	SHDN# (Shut down output power function, short Pin1 & Pin2)	GND	LEDA (Disable LED function, short Pin2 & Pin3)

# IDD-936160

60 W DC/DC Converter Module



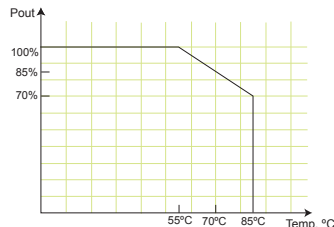
IDD-936160 60W DC/DC Converter Module is a high performance buck-boost switching regulator power module. The constant frequency current mode architecture allows a phaselockable frequency of up to 400 kHz. With a wide 9V to 36V input and 12V output and seamless transfers between operating modes, the IDD-936160 is ideal for embedded systems with limited space.

## Features

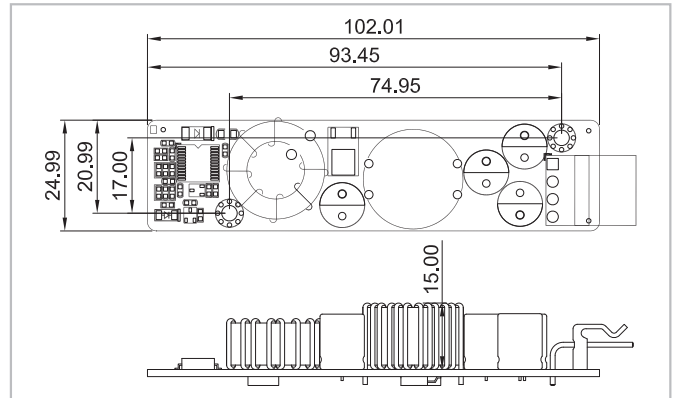
1. Wide input range: 9-36 VDC
2. 12 VDC output up to 5 Amp
3. Compact size
4. Efficiency up to 95%
5. RoHS compliant

## Specifications

- Output (max.): 12 V@5 A
- Max. total output: 60 W
- Input: 9 VDC to 36 VDC
- Performance characteristics  
Noise & ripple: <300 mV  
Line regulation: <300 mV  
Load regulation: <85 mV  
Efficiency up to 95%
- Dimensions (mm): 82 x 25
- Weight (NW): 28 g
- Operating temperature: -40°C ~ 85°C



## Dimensions (Unit: mm)



## Pin Assignments

### Input/Output Connector

VOUT1	Pin1	Pin2	Pin3
	+12 V Output	GND	Vin



P/N: 32102-015700-100-RS

## Packing Information

1 x IDD-936160      1 x QIG  
1 x 300 mm wire cable (P/N: 32102-015700-100-RS)

## Ordering Information

Part No.	Description
IDD-936160-R20	60 W DC/DC 9~36 V input, 12 V output