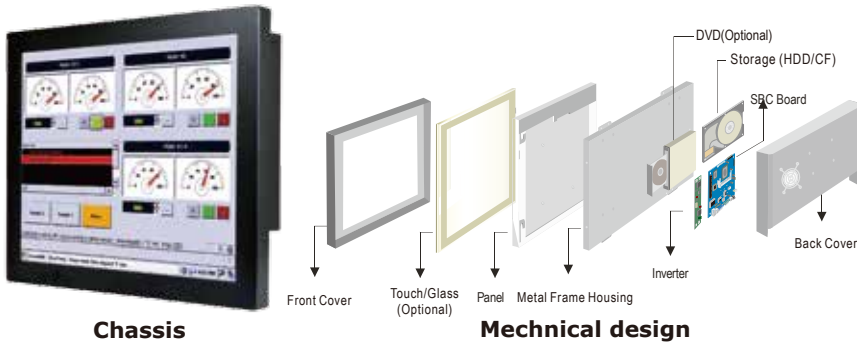


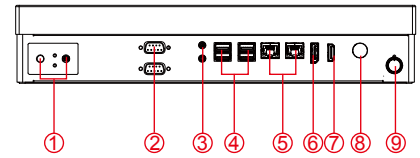
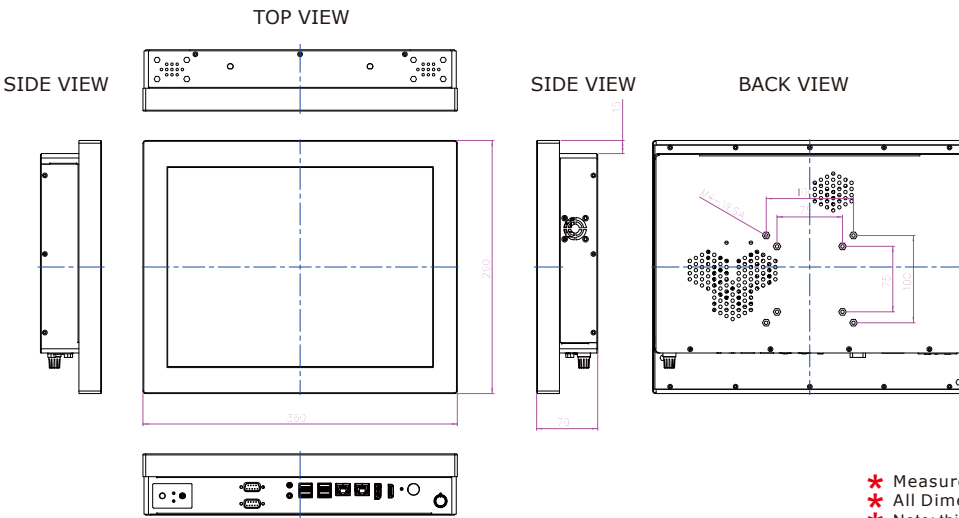
R17IK7T-CHM1 17" Panel PC (Intel 7th Generation Core i3/i5/i7 Processor)

Mechanical Design



Features:

- 17" 1280 x 1024 Resolution
- Intel 7th Generation Core i3/i5/i7 processor (Kabylake)
- Flexible storage devices, one 2.5-inch HDD and one SSD
- Multiple I/Os, Two Serial Ports and Four USB 3.0 Ports
- 12V DC Power input
- DP Support 4096x2304@60Hz
- HDMI Support 4096x2304@24Hz



1. Power On Button
2. 2 x RS232/422/485
3. Mic In/Line Out
4. 4 x USB3.0
5. 2 x RJ45 (10/100/1000 Mbps)
6. DP 1.2
7. HDMI 1.4
8. 12V DC in
9. Brightness Adjustment Knob

Fully Integrated I/O

- * Measurements shown in mm
- * All Dimensions are ± 0.5 mm
- * Note: this is a simplified drawing and some components are not marked in detail. Please contact our sales representative if you need further product information.

System Specifications

System	
Processor	: Intel® Core™ i7-7700T Processor, 2.9 GHz Intel® Core™ i5-7500T Processor, 2.7 GHz Intel® Core™ i3-7100T Processor, 3.4 GHz
System Chipset	: Intel® 8 series Chipset(C236)
System Memory	: 2 x SODIMM, Max 32GB DDR4 2400 MHz, default 4GB
Storage	: 1 x M.2 SSD, Max 256GB 1 x 2.5" 500GB HDD (default)
LAN	: Intel® Ethernet Controller I211-AT + Intel® Gigabit Ethernet PHY I219-LM
Audio Codec	: Realtek ALC283 HD Audio Codec

Input / Output	
Serial Port	: 2 x RS232/422/485(default RS232)
Ethernet	: 2 x RJ45-10/100/1000 Mbps
USB Port	: 4 x USB 3.0
DP Port	: 1 x DP 1.2
HDMI Port	: 1 x HDMI 1.4
Audio	: Mic in, Line out

Power Specifications	
Power Input	: 12V DC IN (Lockable Power Jack)
Power Consumption	: 93W (typ.)(Max.backlight & high CPU load)

Accessories	
External Adapter	: 110~240V Ac-in Power Adapter

Panel Spec	
Size/Type	: 17" TFT
Resolution	: 1280 x 1024
Brightness	: 350 nits (Optional 450 nits)
Contrast Ratio	: 1000:1 (typ.)
Viewing Angles	: -85~85 (H); -80~80 (V)
Max Colors	: 16.7M (6 bits + FRC)

Environment Considerations	
Operating Temperature	: 0°C to 50°C
Operating Humidity	: 10% to 90% (non condensing)

Security Support	
• Trusted Platform Module (TPM 2.0)	

Order Options	
Mechanical : Chassis	Storage : 2.5" HDD/ M.2 SSD
Touch : 5-Wires Resistive(Default) AR Glass(Optional)	RAM : SODIMM DDR4
Panel : 1000 cd/m ² (Optional)	OS : Windows 10 IoT Enterprise
	Power : 9~36V DC in (Optional)

Expansion	
• 2 x M.2 (1 for WiFi, 1 for SSD), 1 x PCIe16	
*Customized housing required if you need to have the PCIe expansion	