

4K HDR SDVoE IP Combo Transceiver

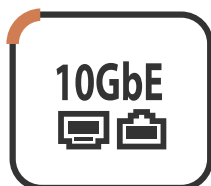


Support 10GbE Copper & Fiber



iSDV-200CTR

IEI iSDV-200CTR is a high performance, zero latency, and 4K@60Hz (4:4:4) AV over IP video. With its 10GbE combo port design, the iSDV-200CTR allows streaming over copper cable or fiber cable in one single device. As a leading 4K video streaming transceiver, the iSDV-200CTR delivers advanced capabilities for live event, video wall or situation room.



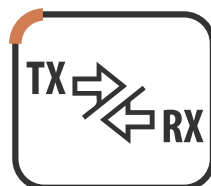
• 10GbE Combo Port
Both RJ45 and SFP+ support for flexible application usage in one device



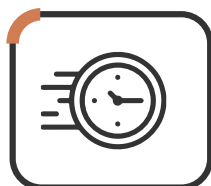
• Free Software, Flex Utility
Flexible management for TX/ RX configurations and applications



• Management Visualization
LCD display shows the IP address of the device, enabling visualization for easy on-site setup



• 4K Video Streaming Transceiver
Combining Tx and Rx functions

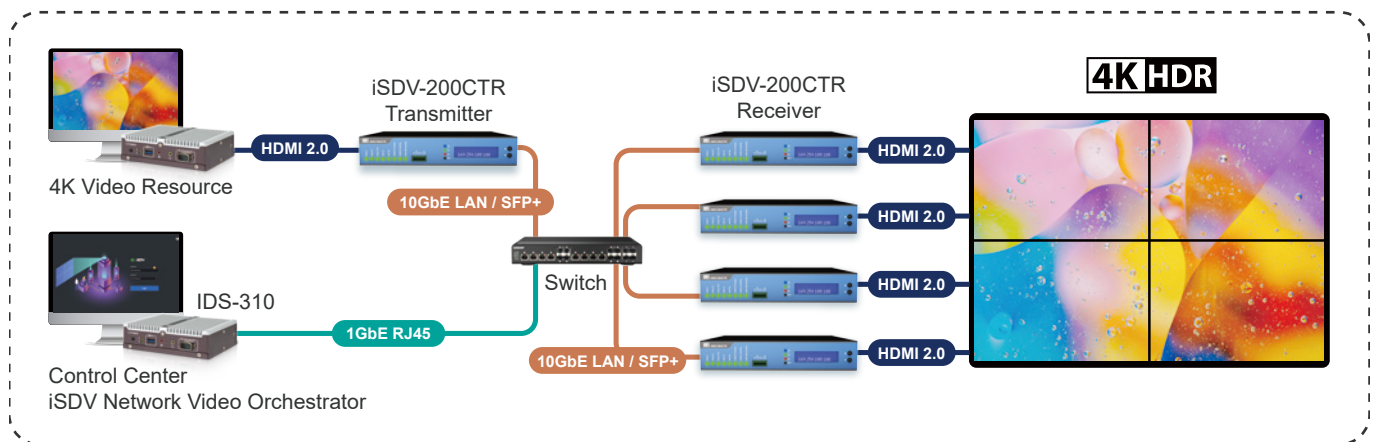


• Zero Latency
Zero latency extension and switching for 4K video

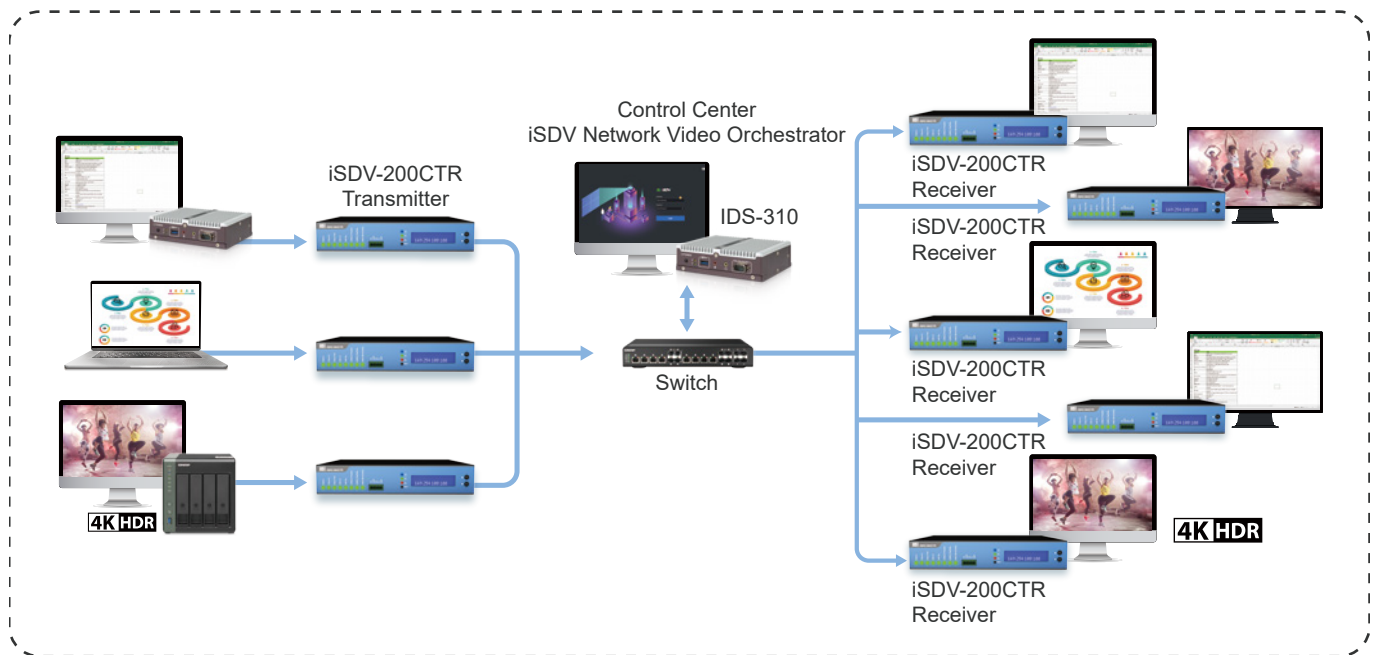


• High Performance
BlueRiver AVP2000T AV Processor

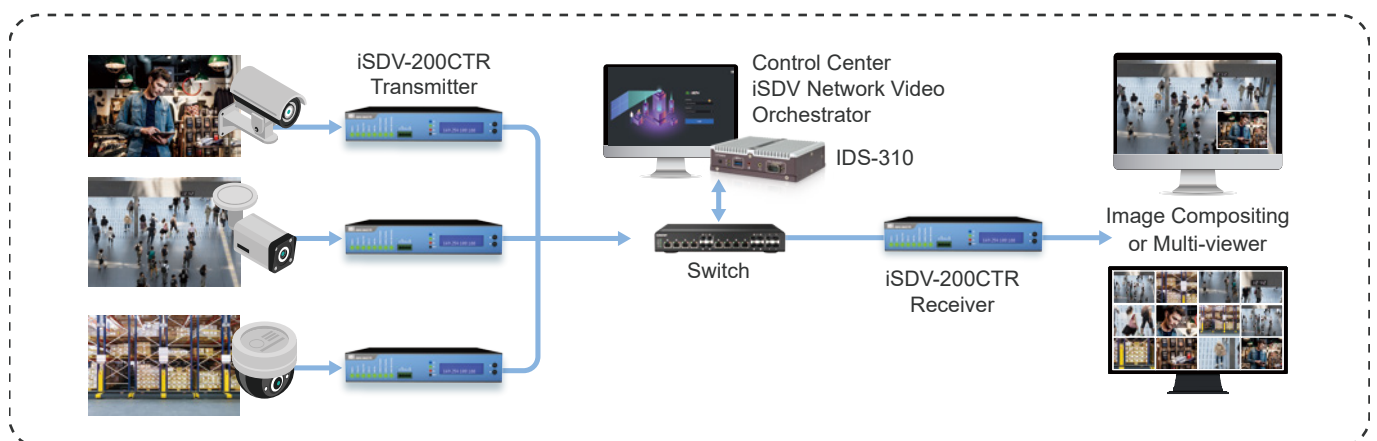
• SDVoE 4K Video Wall Solution



• Fast and Stable Switching Solution



• Powerful Multi Viewer Solution



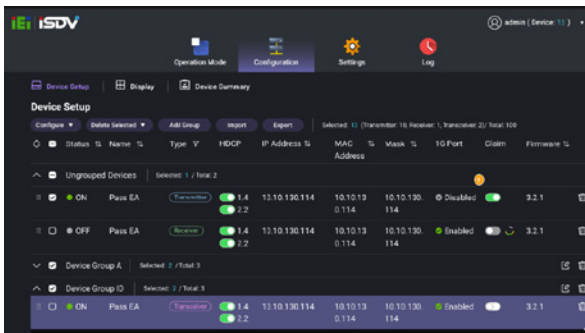
iSDV Network Video Orchestrator

» Simple System Management with Free Software

Simply login the iSDV Network Video Orchestrator, a free software and free installation, to manage all your iSDV devices from a central console. The free software can be easily implemented in different platforms, such as Windows 10/11, Ubuntu 18.04 LTS+, QNAP NAS QTS 5. It has intuitive user interface, allowing you to setup the mode of Tx/Rx, quickly configure display array or other settings, and check the status of all devices in real-time.

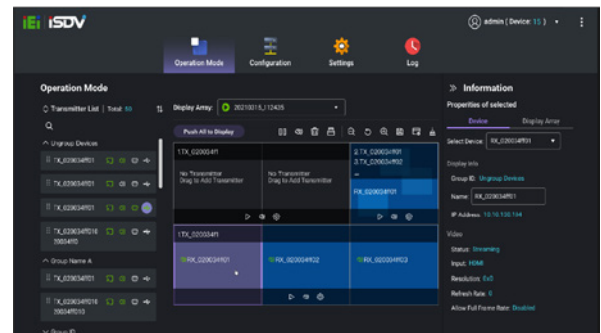
- Free source and free installation
- Simple installation procedure and user interface design
- Compliant with various OS: Windows 10/11, Ubuntu 18.04 LTS+, QNAP NAS QTS 5

» Software Features



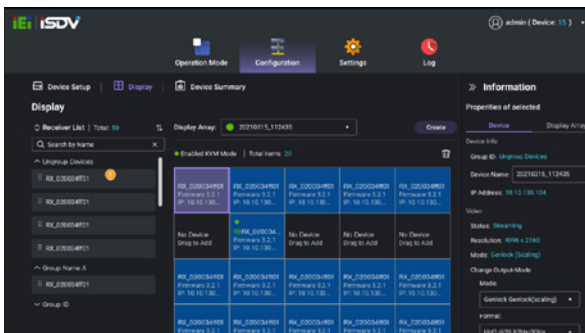
• iSDV Device Setup:

To manage the configuration of Group, Devices, Audio, RS232, Hardware or Firmware Update



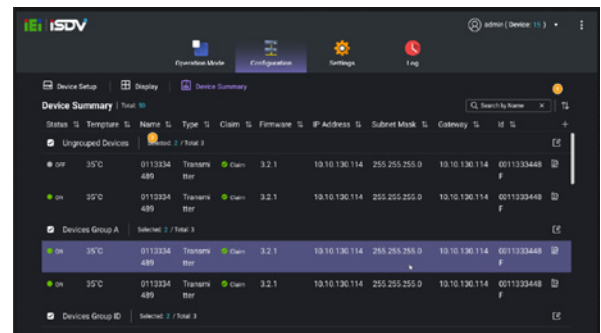
• iSDV Display Configuration:

To create display array and setup receiver position



• iSDV Transmitter & Receiver Routing Setup:

To set up display property and execute settings to start video streaming



• Real-time Status of iSDV Devices:

Offer data visualization and summary of all iSDV devices

iSDV-200CTR



Feature

- Encoder/Decoder hybrid and copper/fiber combo device
- Visualization hardware design for IP management
- Flexible software, iSDV Network Video Orchestrator, for TX/RX configuration and applications

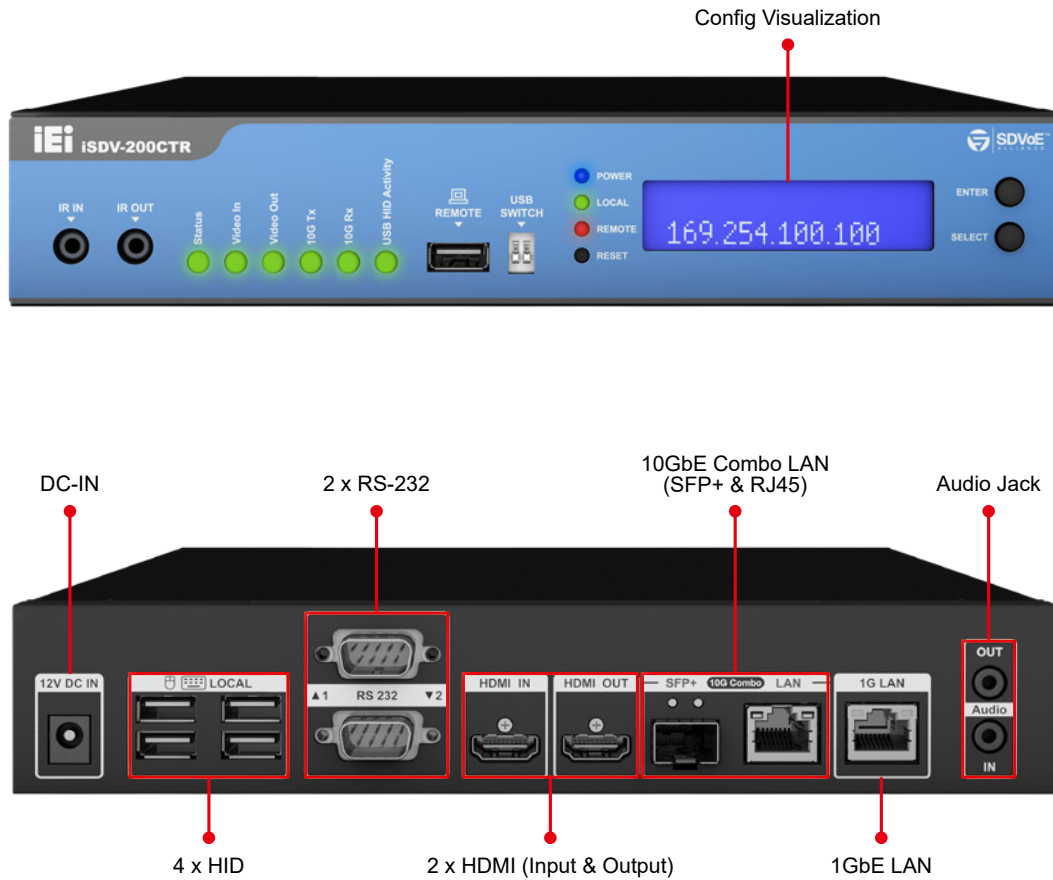
Application

- Flexible transmitter/receiver mode configuration via iSDV Network Video Orchestrator software
- 4K video wall / switching / multi viewer / KVM

Specifications

Model Name	iSDV-200CTR
Description	4K HDR SDVoE IP combo transceiver supports 10G copper & fiber
Memory	2 x 128Mx16 DDR3 onboard
Video Interfaces	HDMI 2.0 supporting all resolutions up to 594MHz 4K60 RGB and 4:4:4 8-bit 4K60 4:2:2 10-bit for broadcast and medical applications 4K60 4:2:0 10-bit and 12-bit HDR
I/O Ports	1 x 1GbE LAN 1 x 10GbE LAN 1 x 10GbE SFP+ 1 x IR in 1 x IR out 1 x HDMI 2.0 in 1 x HDMI 2.0 out 1 x 3.5mm audio-in jack 1 x 3.5mm audio-out jack 4 x HID 2 x RS-232 6 x LED indicator 1 x Reset button 1 x USB switch
Control Button	2 x Trigger & Tuning: 1 x Reset button, 1 x USB switch
LCD	1 x Monochrome LCD (65 x 15 mm)
Application Mode	Transmitter / Receiver Extension / Switching / Video Wall / Multi Viewer / KVM supported
Dimension (WxDxH)	238 x 166 x 44.5 mm
Weight	1235g
Operating Humidity	20% ~ 95%, non-condensing
Operation Temperature	-20°C ~ 50°C w/o air flow -20°C ~ 60°C w/ air flow
Power	12VDC In, 3.3A
Safety & EMC	CE, FCC, CCC Certificated
Software	Free management software (iSDV Network Video Orchestrator) supported
Software Compatible OS	Microsoft Windows 10 64 bits Microsoft Windows 11 64 bits Linux Ubuntu 18.04 LTS+ QNAP NAS QTS 5

Fully Integrated I/O



iSDV-200CTR

Dimensions (Unit: mm)



Ordering Information

Part No.	Description
iSDV-200CTR-R10	SDVoE Transmitter&Receiver, Semtech BlueRiver® AVP2000T, 2x128Mx16 DDR3, 1x1GbE RJ-45, 1x10GbE RJ-45, 1x 10GbE SFP+, 2xIR, 2xHDMI 2.0, 2x3.5mm audio jack, 4xHID, 2xRS-232, RoHS